

Naming Convention HFT PIXEL

12-June-2009

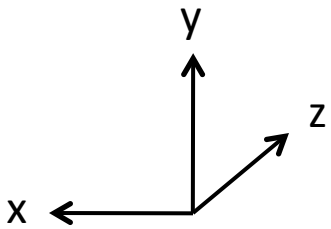
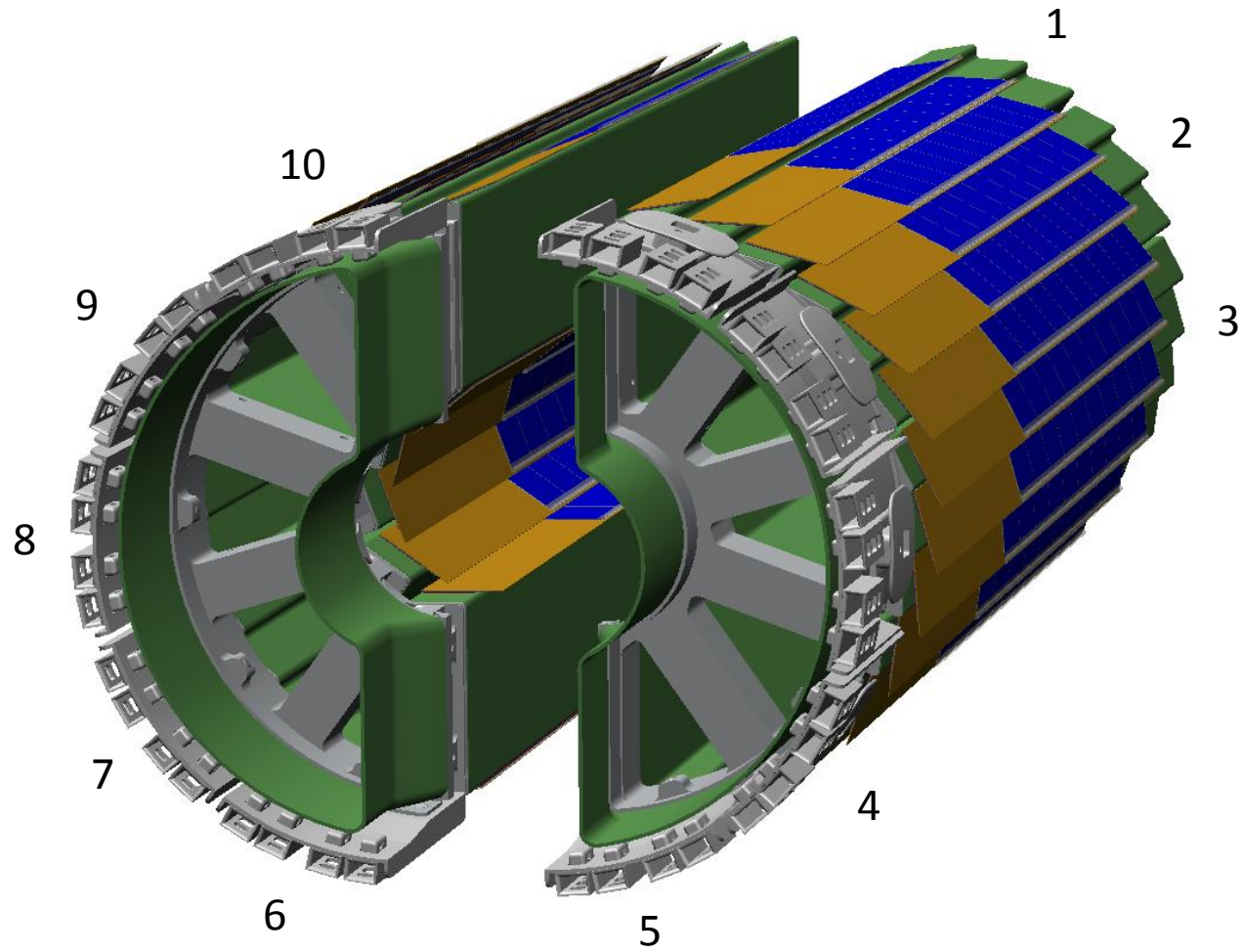
pixel identification

sector – ladder – chip - row - column

1-10	in	1	1-10	1-640	1-640
	out1	2			
	out2	3			
	out3	4			

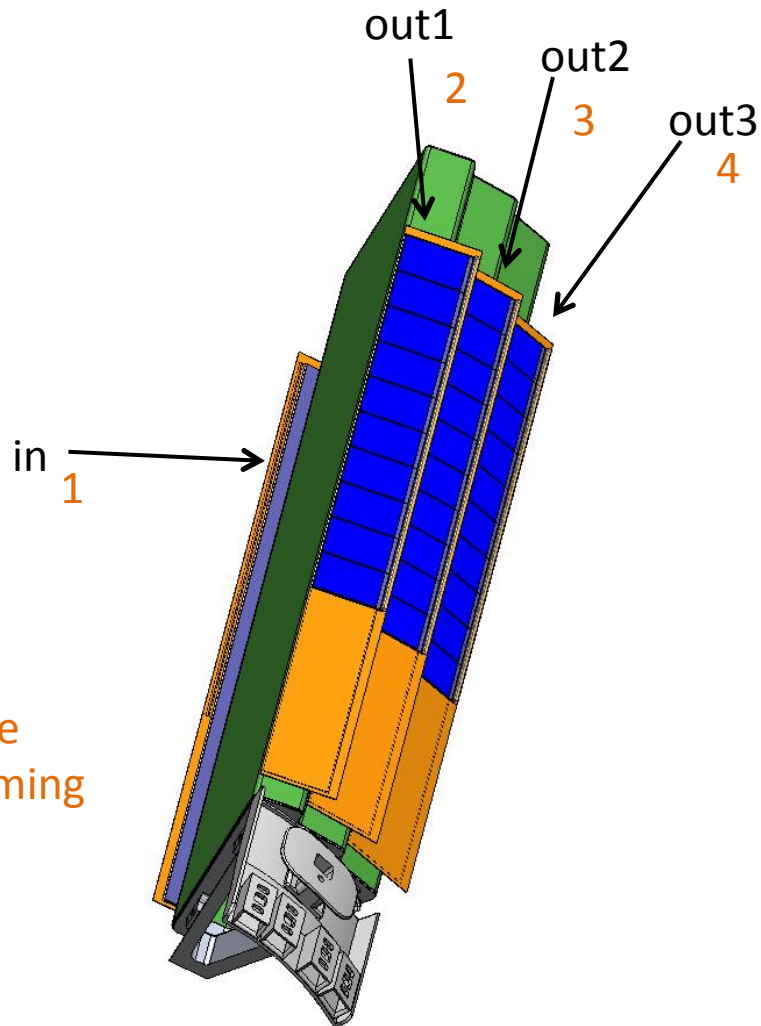
Alternative
ladder naming
in Orange

sector number

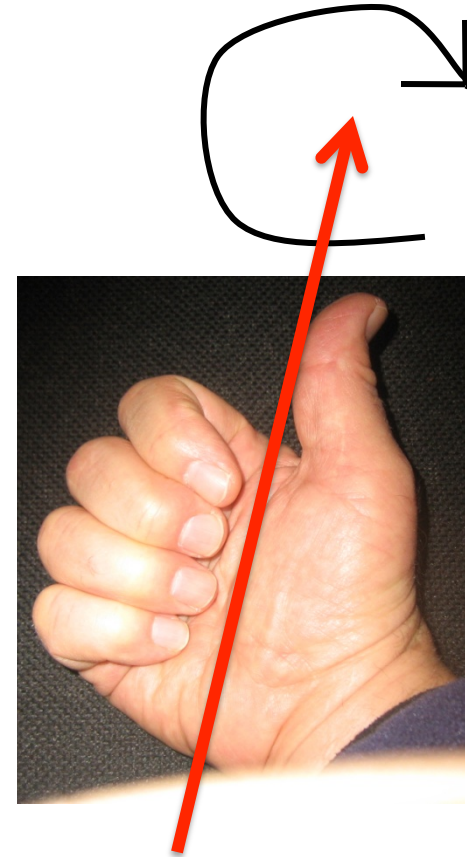


STAR coordinates

ladder naming follows right hand rule like the sector numbering

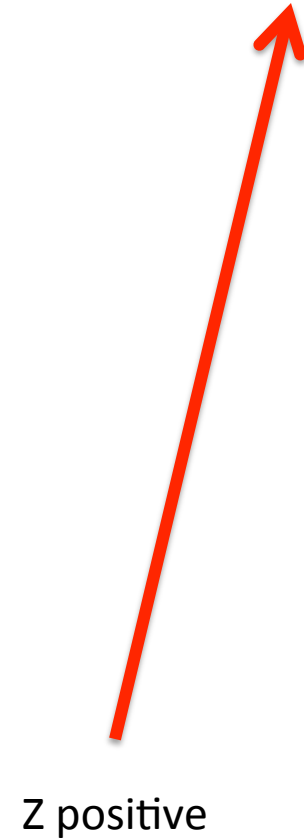
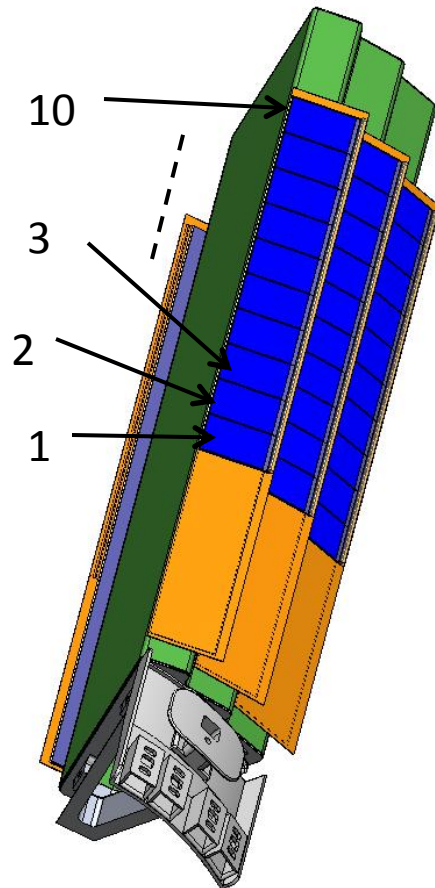


Alternative
ladder naming
in Orange



Z positive

chip naming on the ladder



pixel naming on the chip

