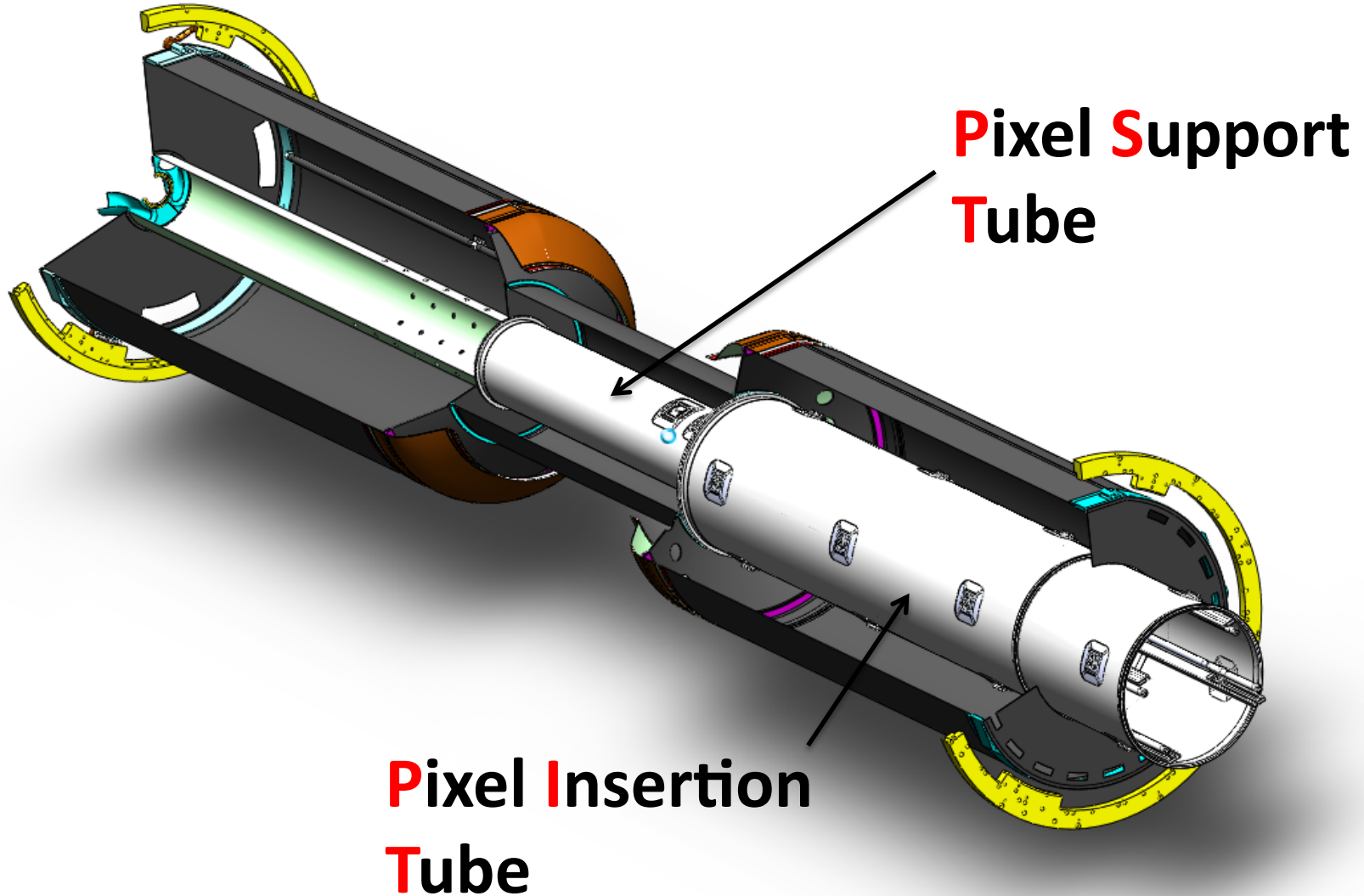
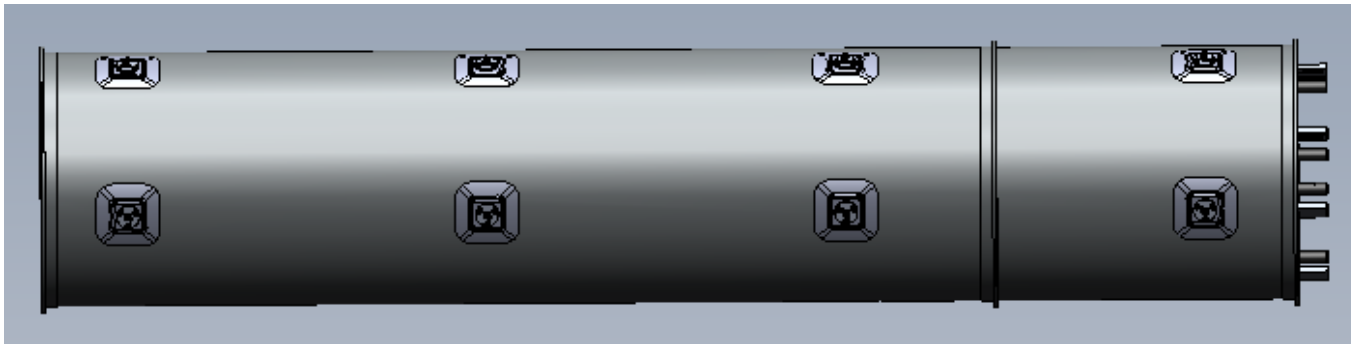


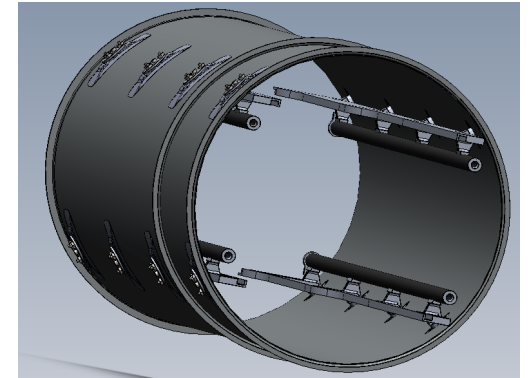
Towards the full MSC = PIT+PST



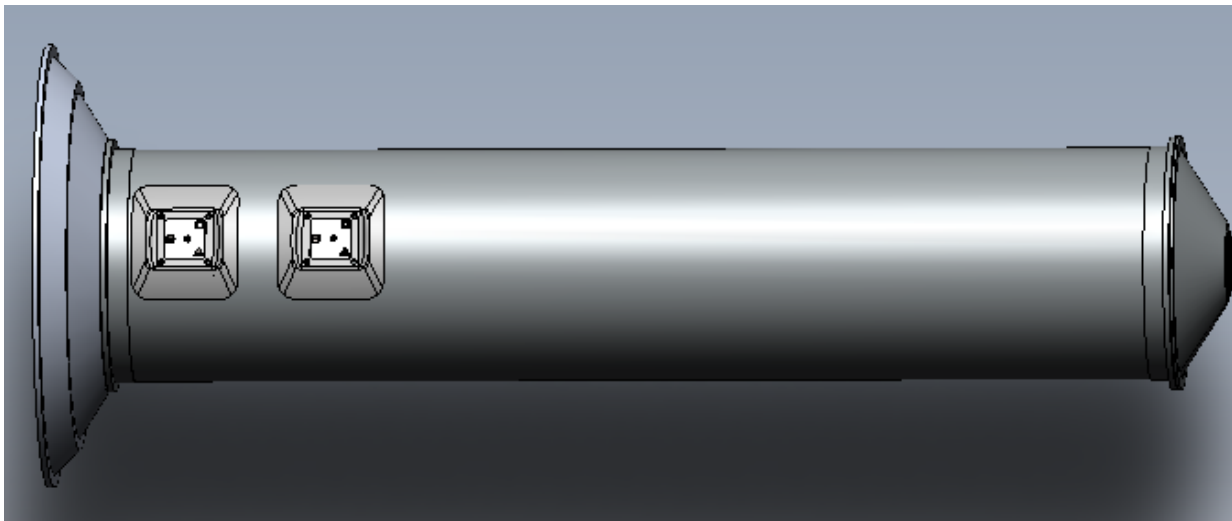
PIT side view



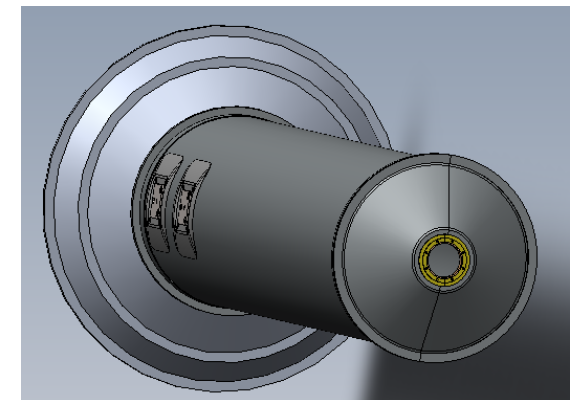
PIT front view



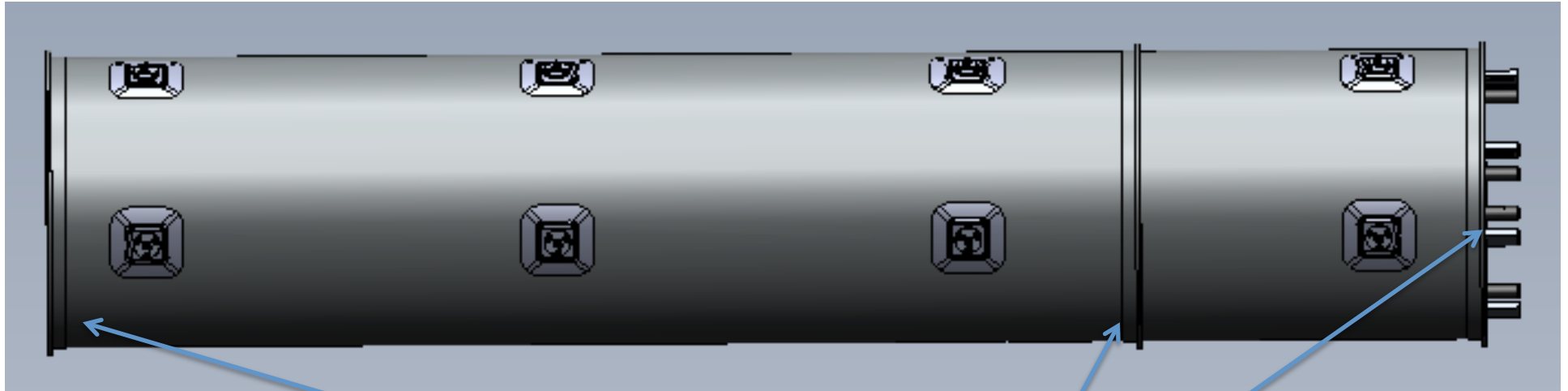
PST side view



PST front view



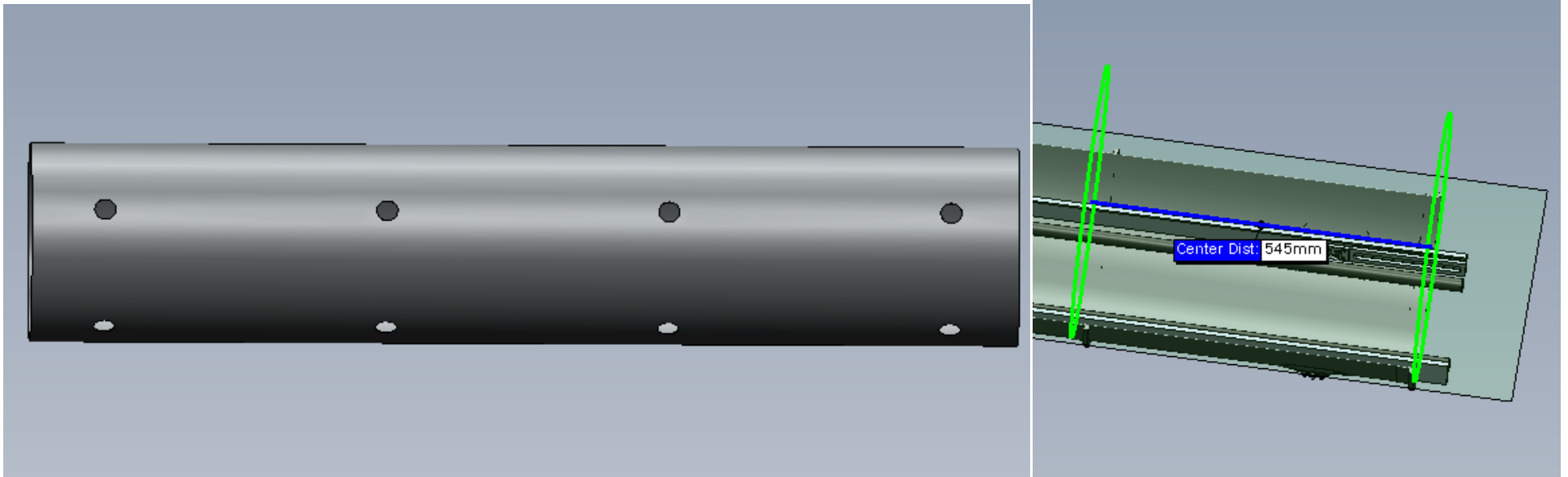
PIT in solidWorks



Pixel Insertion
Tube default

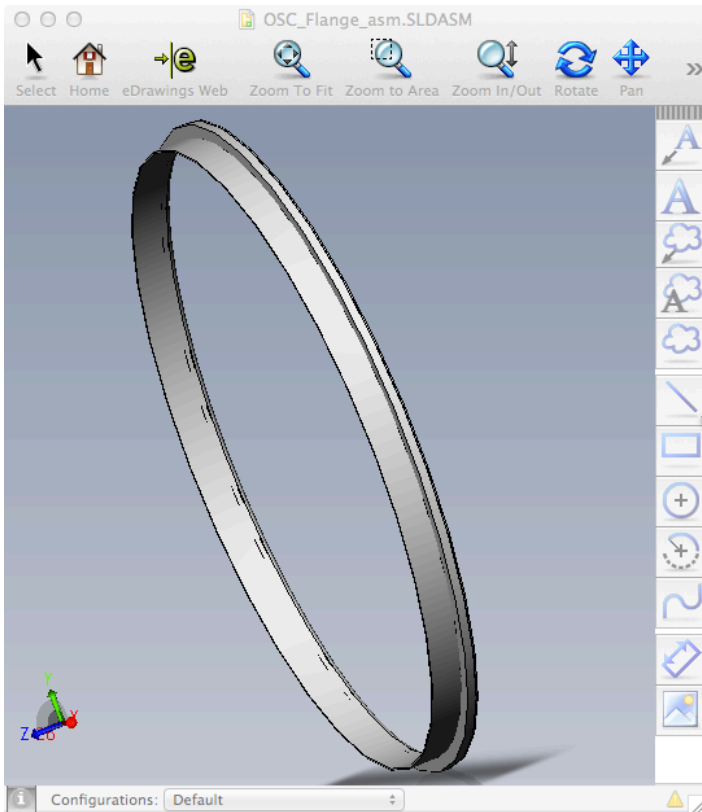
OSC flange base

Pixel Insertion Tube

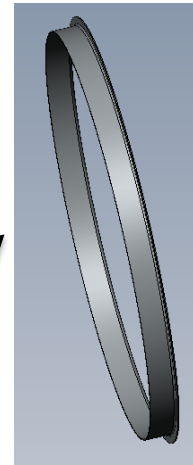


Total length = 2158 mm, $r1 = 432/2$, $r2 = 430.4$

OSC flange base



OSC flange backer : 3 rings



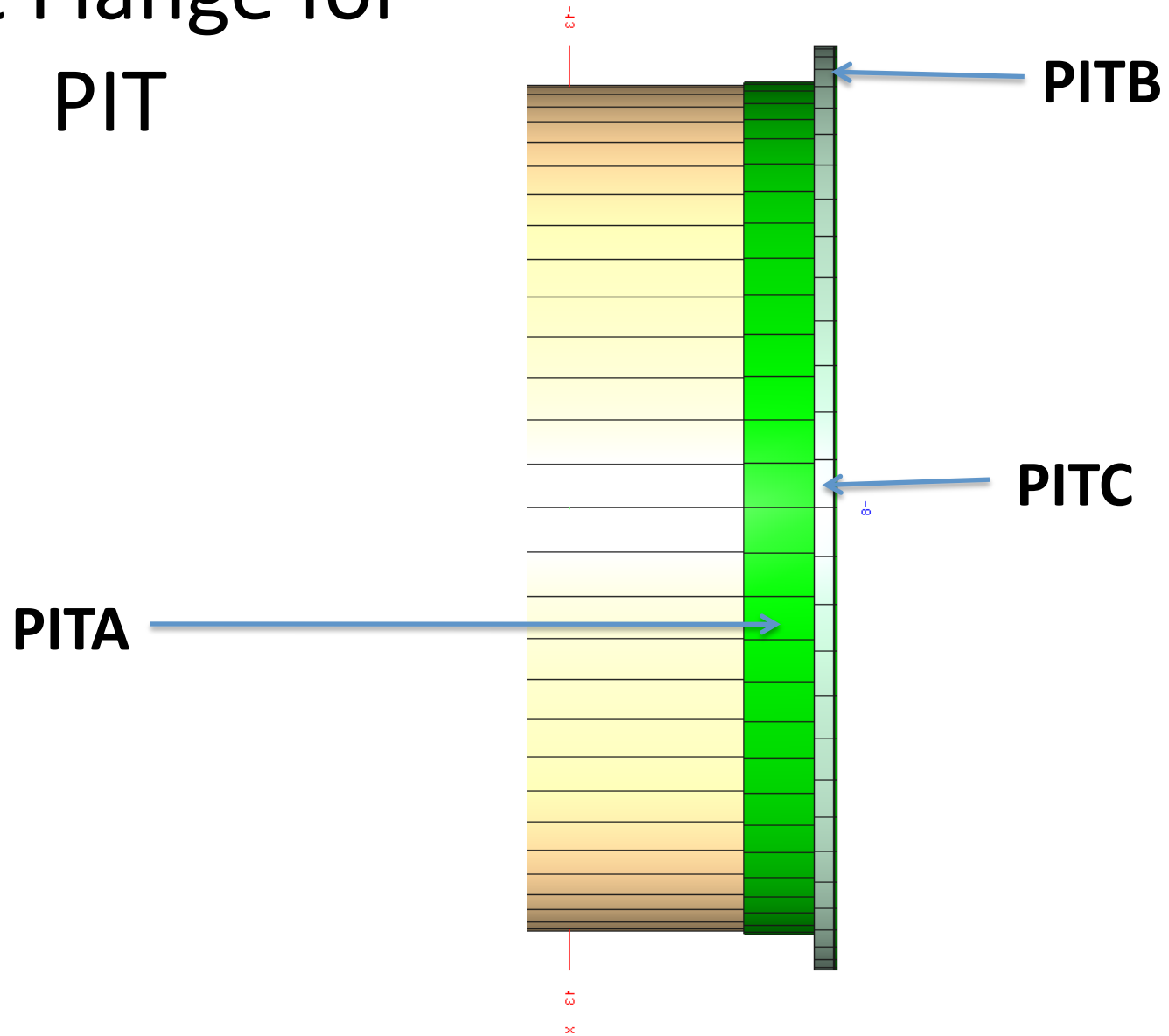
1. 25 mm, $r=434.4/2$
2. 2mm, $r=438.4/2$
3. 1mm, $r=453.4/2$



1. 6mm, $r=453.4/2$

OSC flange base

Right Flange for PIT



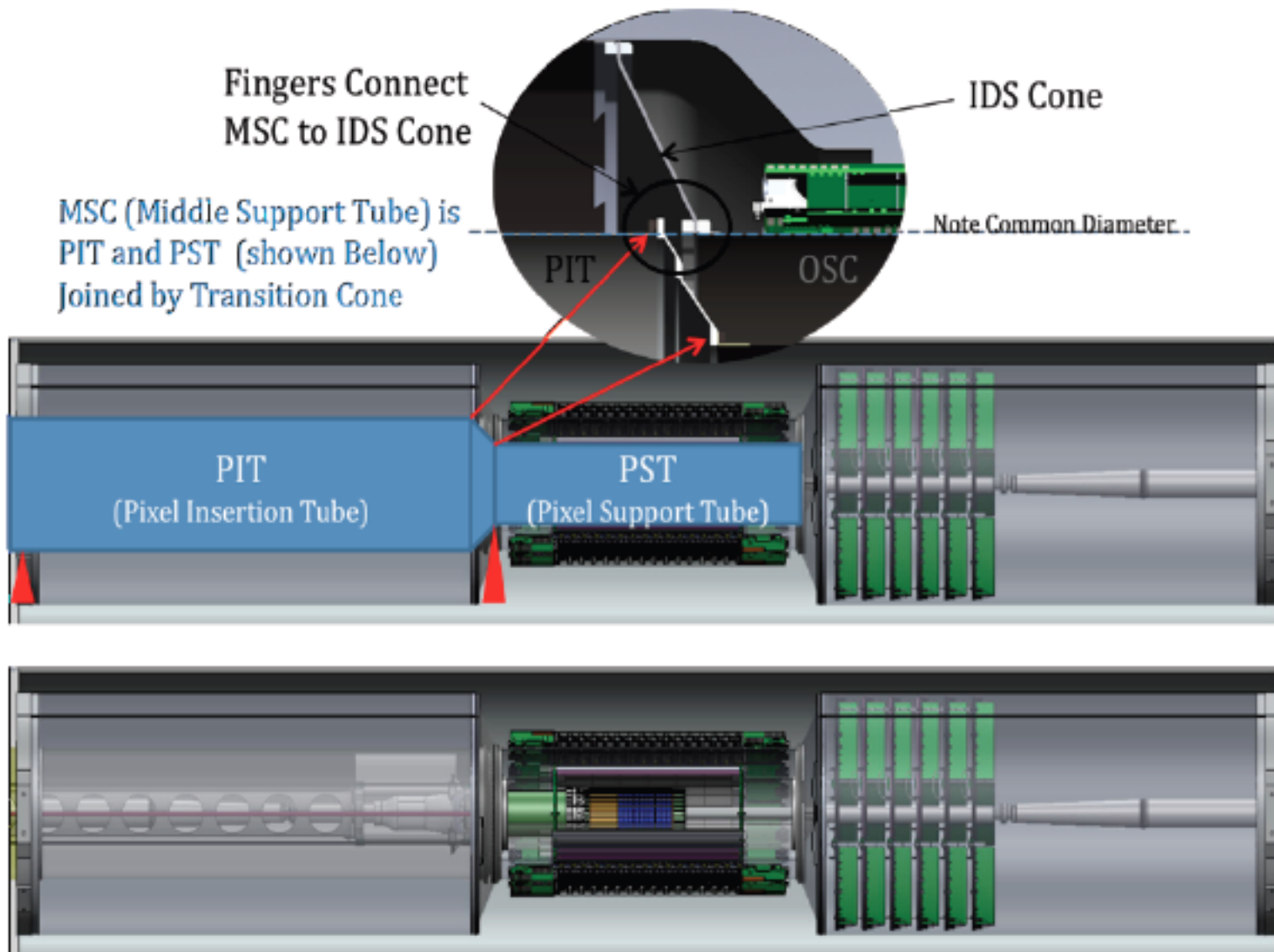
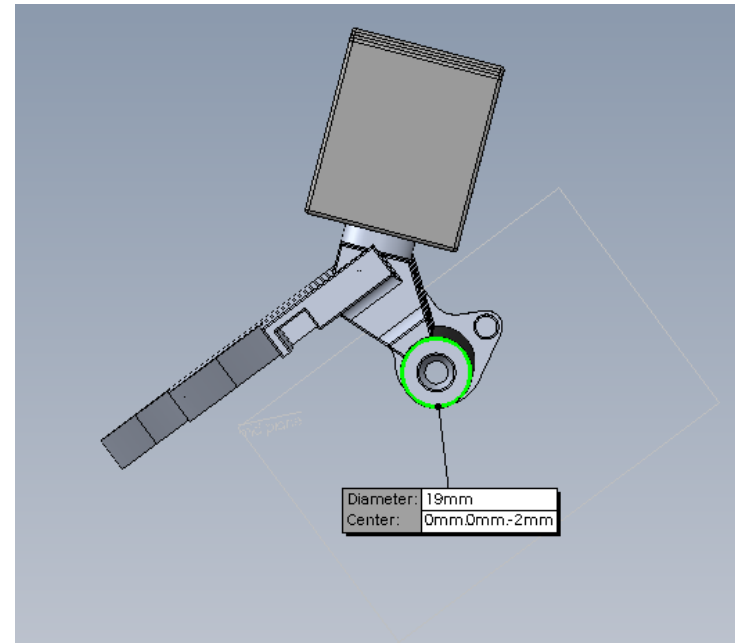
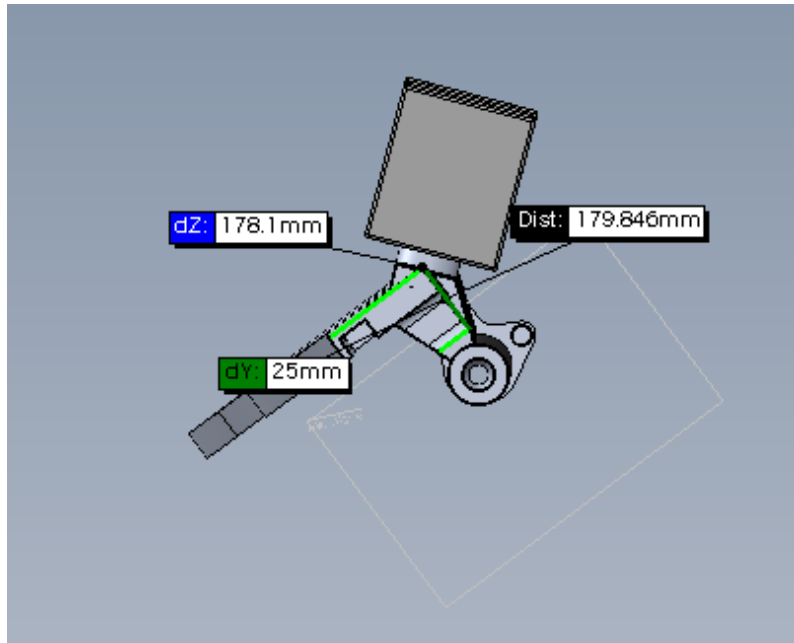
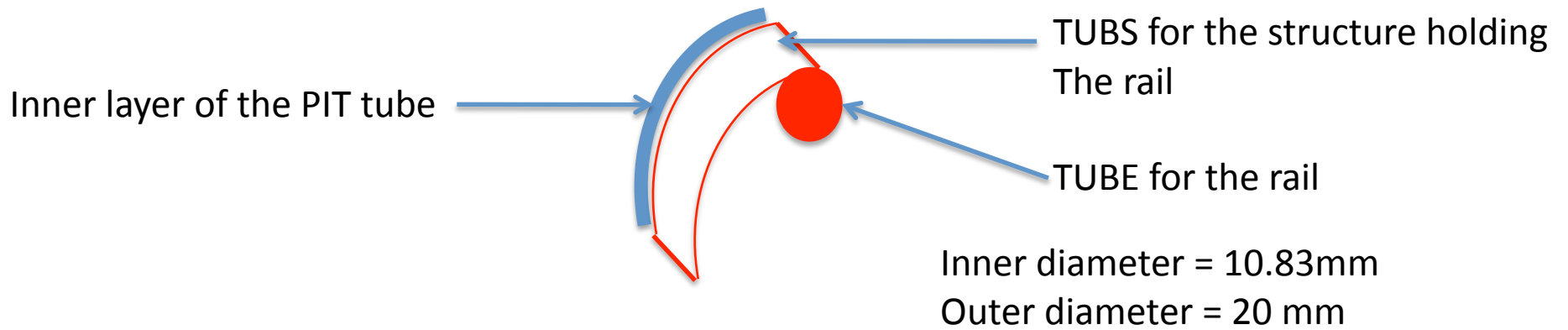


Figure 79: Middle Support Cylinder.

PIT rails



Proposal : TUBS + TUBE



TPC – IFC end ring east(2008)

