







# LBNL Precision Measurement



One Cyclotron Road, 77/125  
 Berkeley CA, 94720  
 Ph. (510) 486-7611

Measurement Plan: HFT 6 Face Tube Vertical no Weight  
 Date: March 17, 2009  
 Order: Vertical no Weight

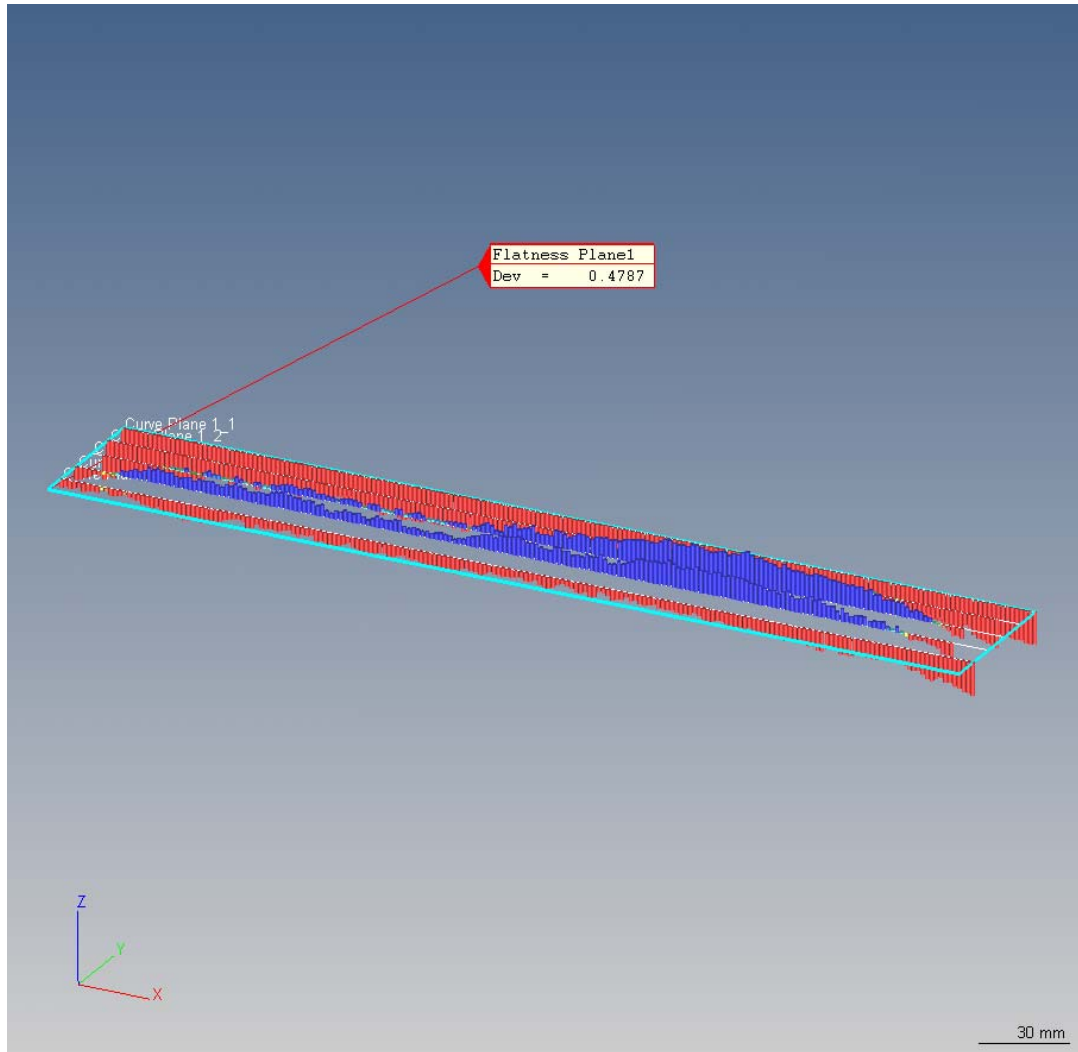
Length unit: MM  
 Time: 1:38:46 pm  
 Incremental Part Number: 1

	Actual	Nominal	Upper Tol.	Lower Tol.	Deviation
 Flatness Plane1	0.4787	0.0000	0.0500		0.4287 0.4787
 Flatness_Plane2	0.1871	0.0000	0.0500		0.1371 0.1871
 Flatness_Plane3	0.3226	0.0000	0.0500		0.2726 0.3226
 Flatness_Plane4	0.4372	0.0000	0.0500		0.3872 0.4372
 Flatness_Plane5	0.5966	0.0000	0.0500		0.5466 0.5966
 Flatness_Plane6	0.3354	0.0000	0.0500		0.2854 0.3354

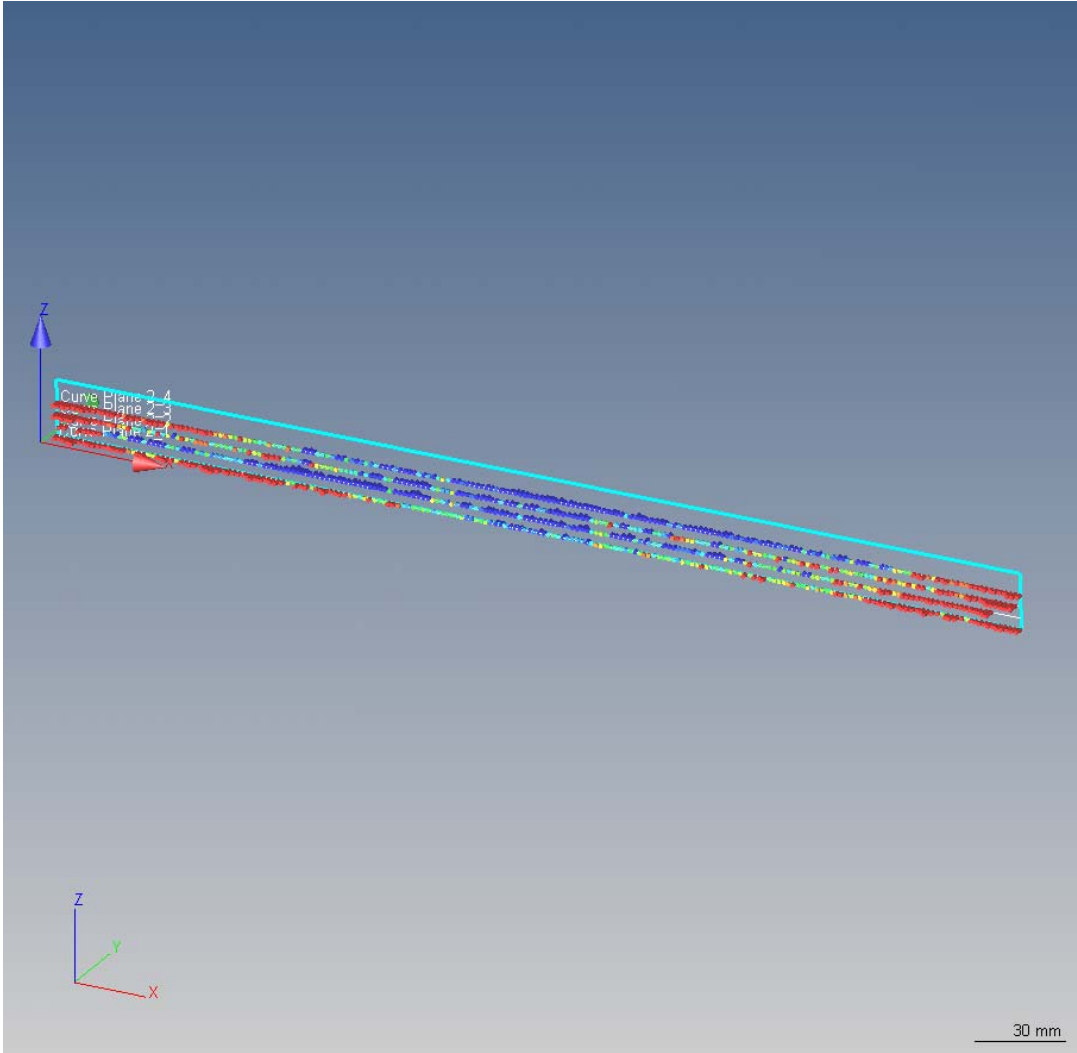
HFT 6 Face Tube  
Part Measured Vertically with No Weight  
Gravity is along the -Y axis

3/17/09

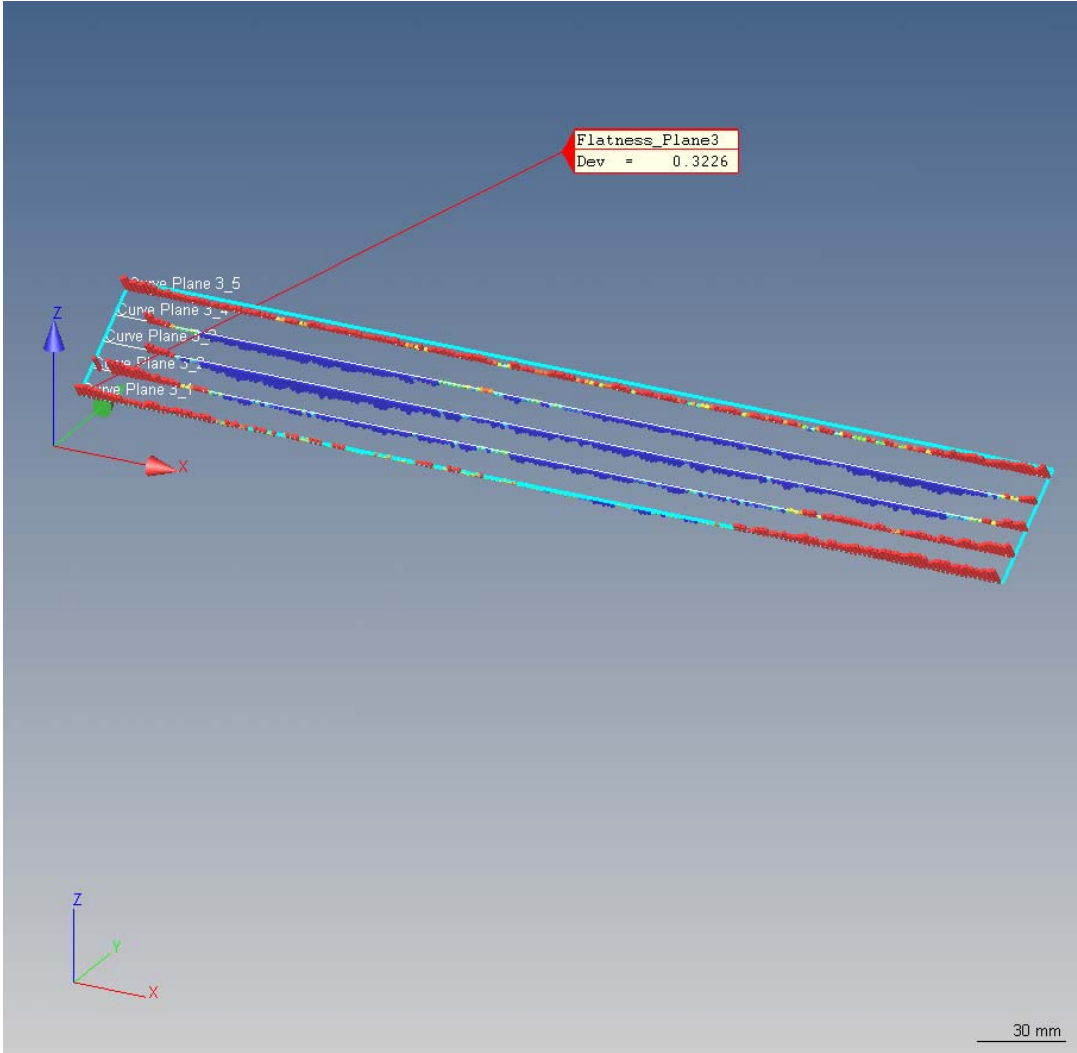
Plane 1



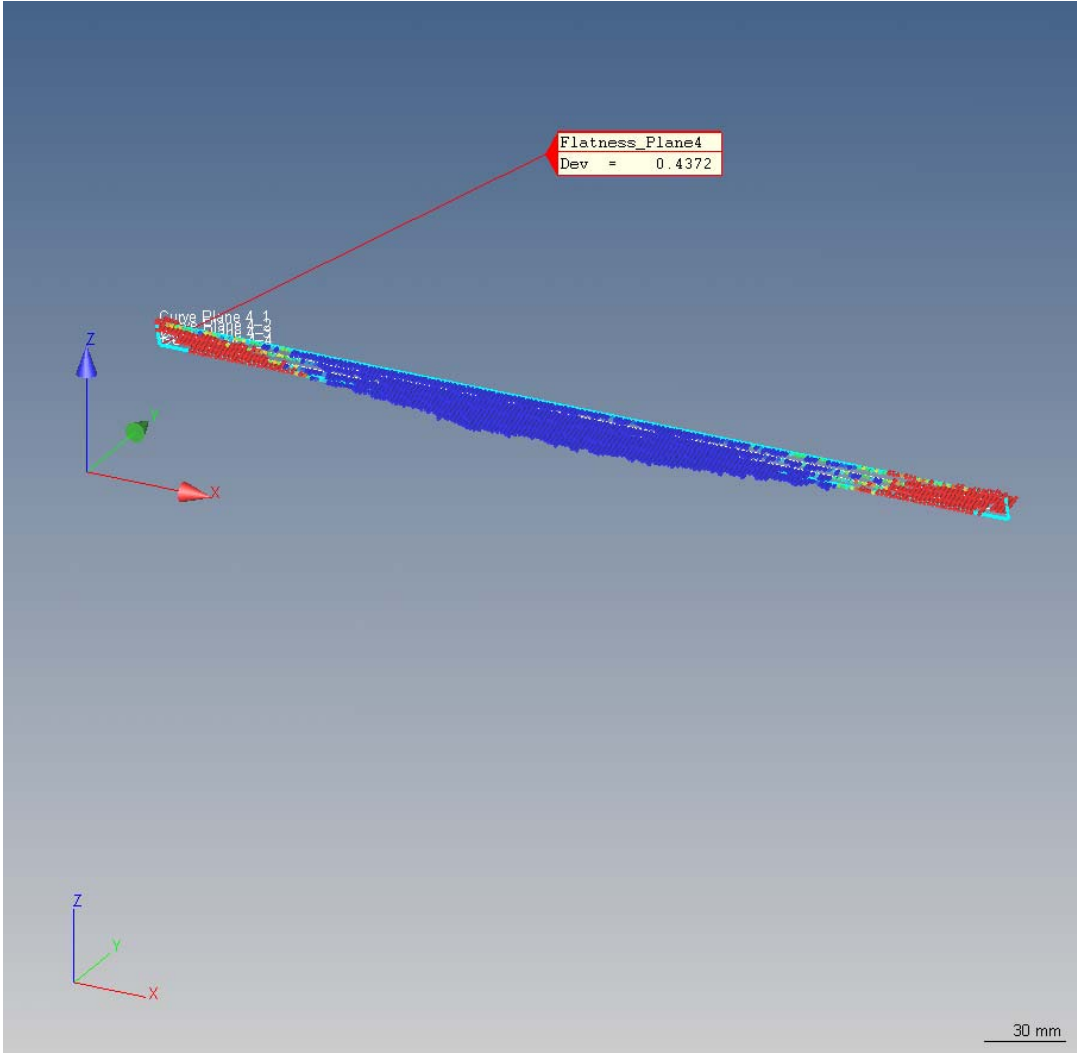
Plane 2



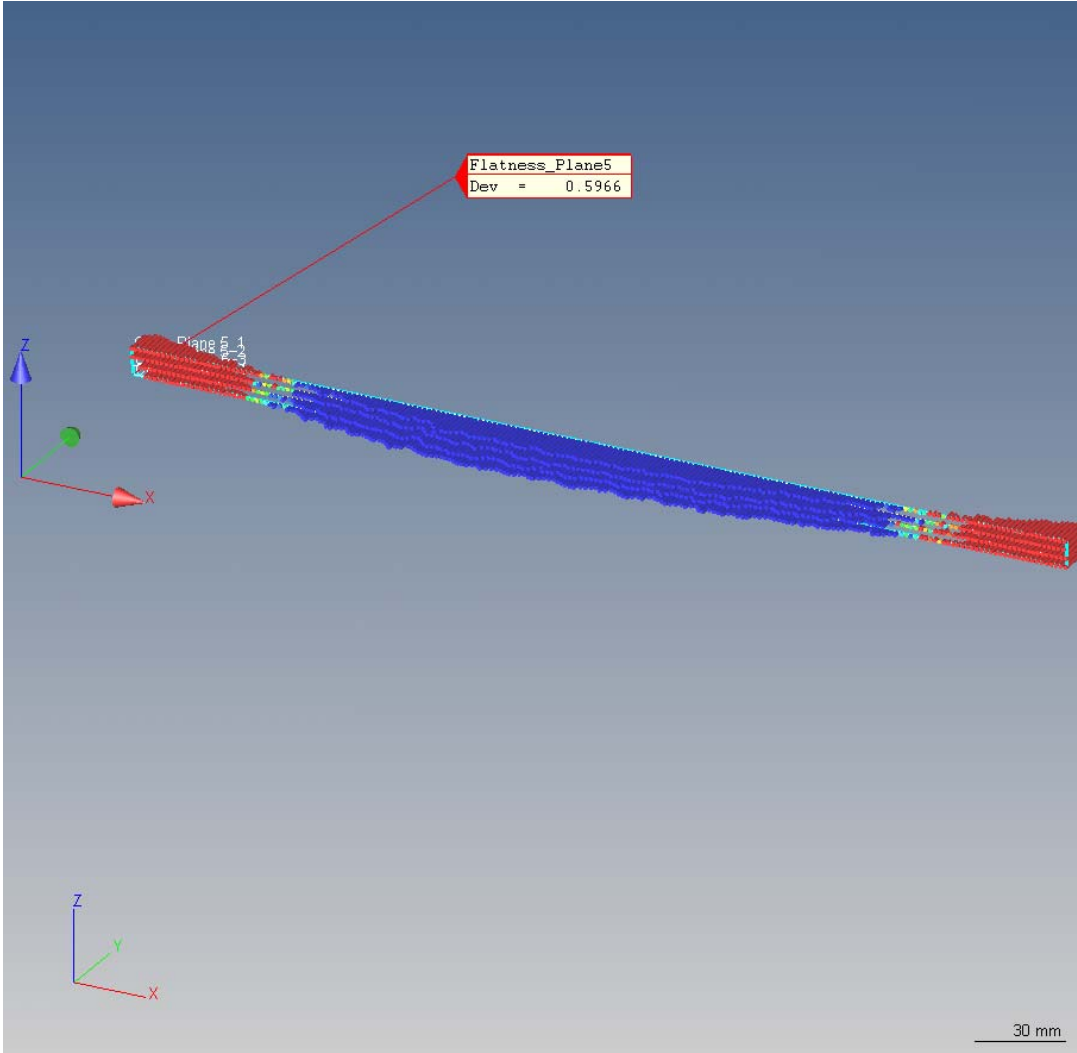
Plane 3



Plane 4



Plane 5



Plane 6

