

# LBNL Precision Measurement



One Cyclotron Road, 77/125  
 Berkeley CA, 94720  
 Ph. (510) 486-7611

Measurement Plan  
 HFT 6 Face Tube With Weight







Date  
 March 17, 2009

Order  
 Horizontal W/ 100g Weight

Length unit  
 MM

Time  
 2:09:38 pm

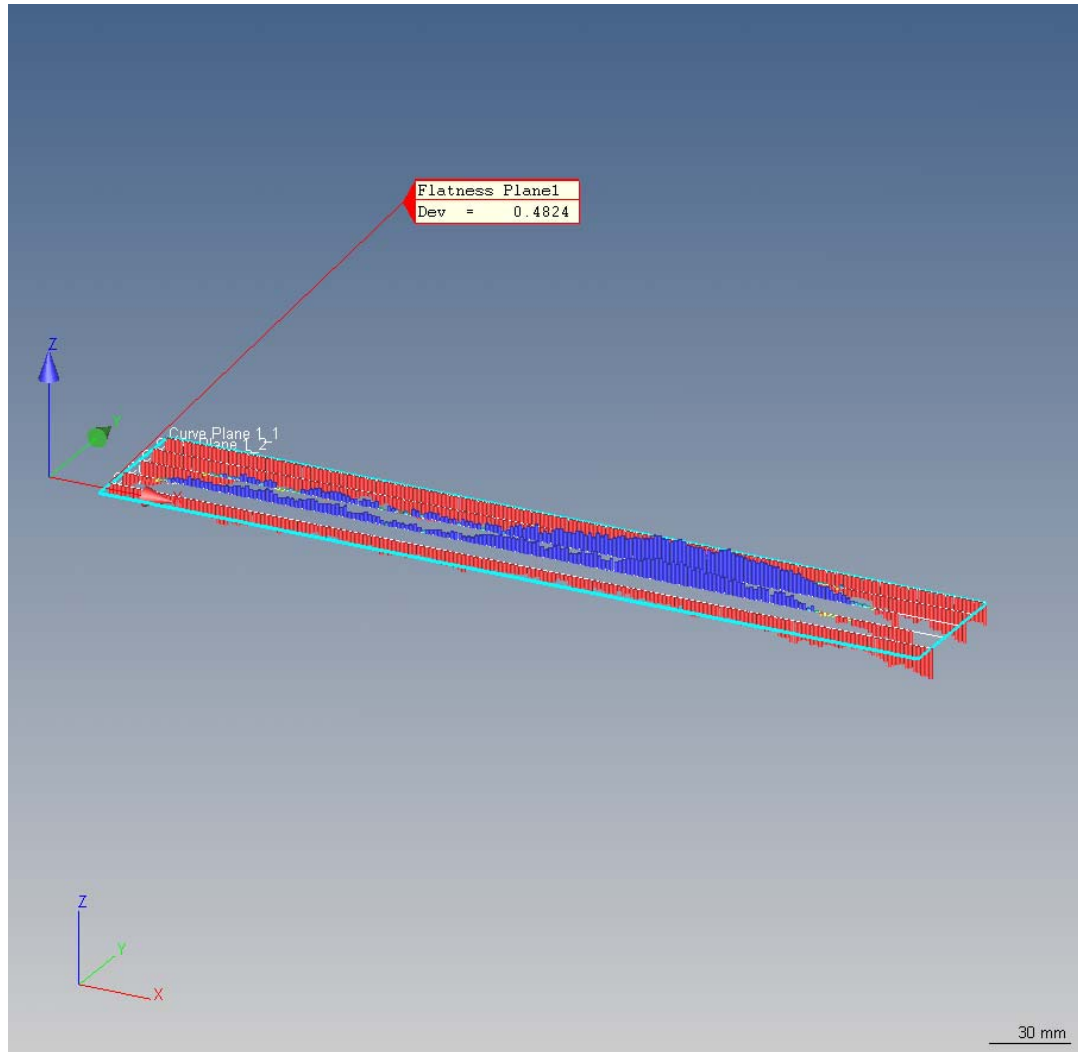
Incremental Part Number  
 1

	Actual	Nominal	Upper Tol.	Lower Tol.	Deviation
 Flatness Plane1	0.4824	0.0000	0.0500		0.4324 0.4824
 Flatness_Plane2	0.1918	0.0000	0.0500		0.1418 0.1918
 Flatness_Plane3	0.3316	0.0000	0.0500		0.2816 0.3316
 Flatness_Plane4	0.4404	0.0000	0.0500		0.3904 0.4404
 Flatness_Plane5	0.6025	0.0000	0.0500		0.5525 0.6025
 Flatness_Plane6	0.3416	0.0000	0.0500		0.2916 0.3416

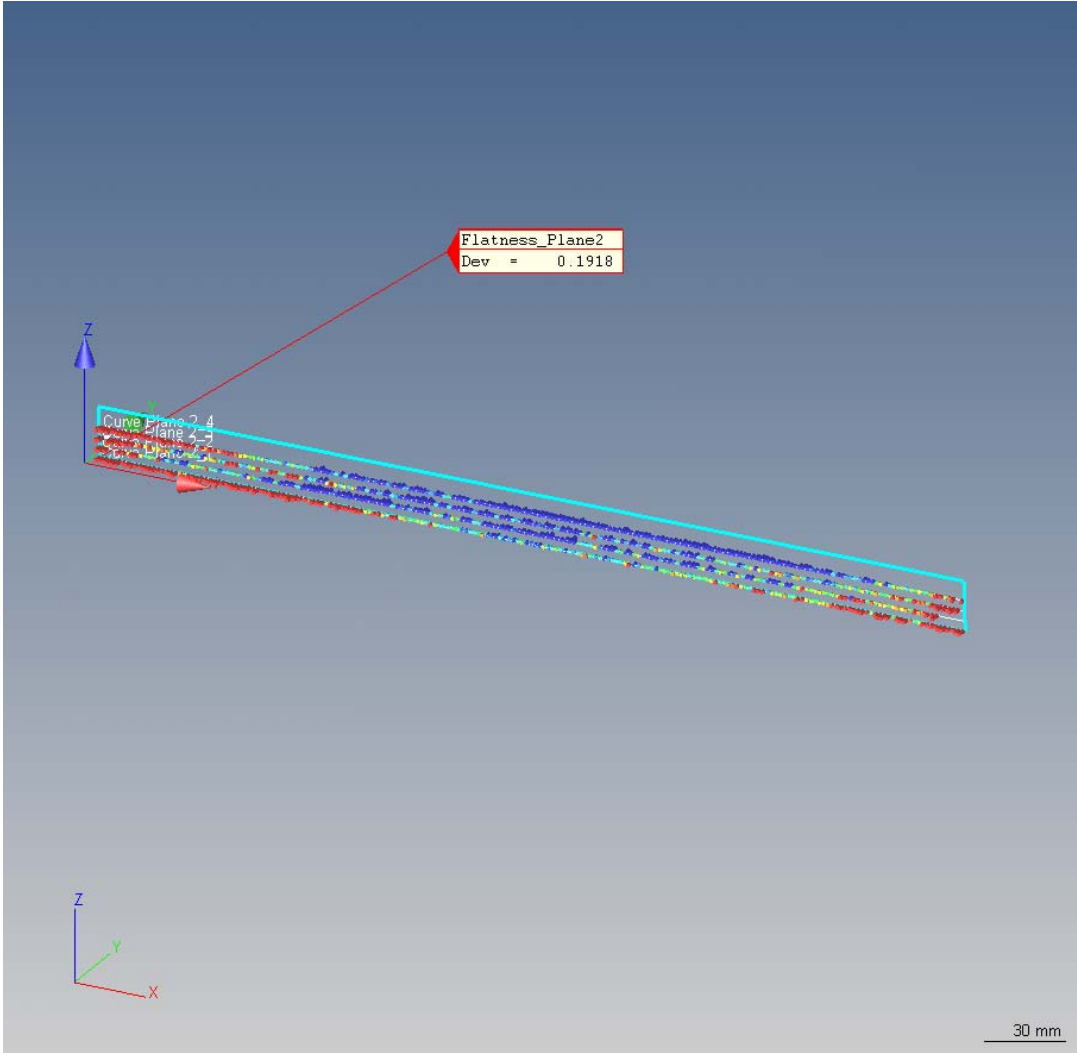
HFT 6 Face Tube  
Part Measured Horizontally with 100g Weight  
Gravity is along the  $-Z$  axis

3/17/09

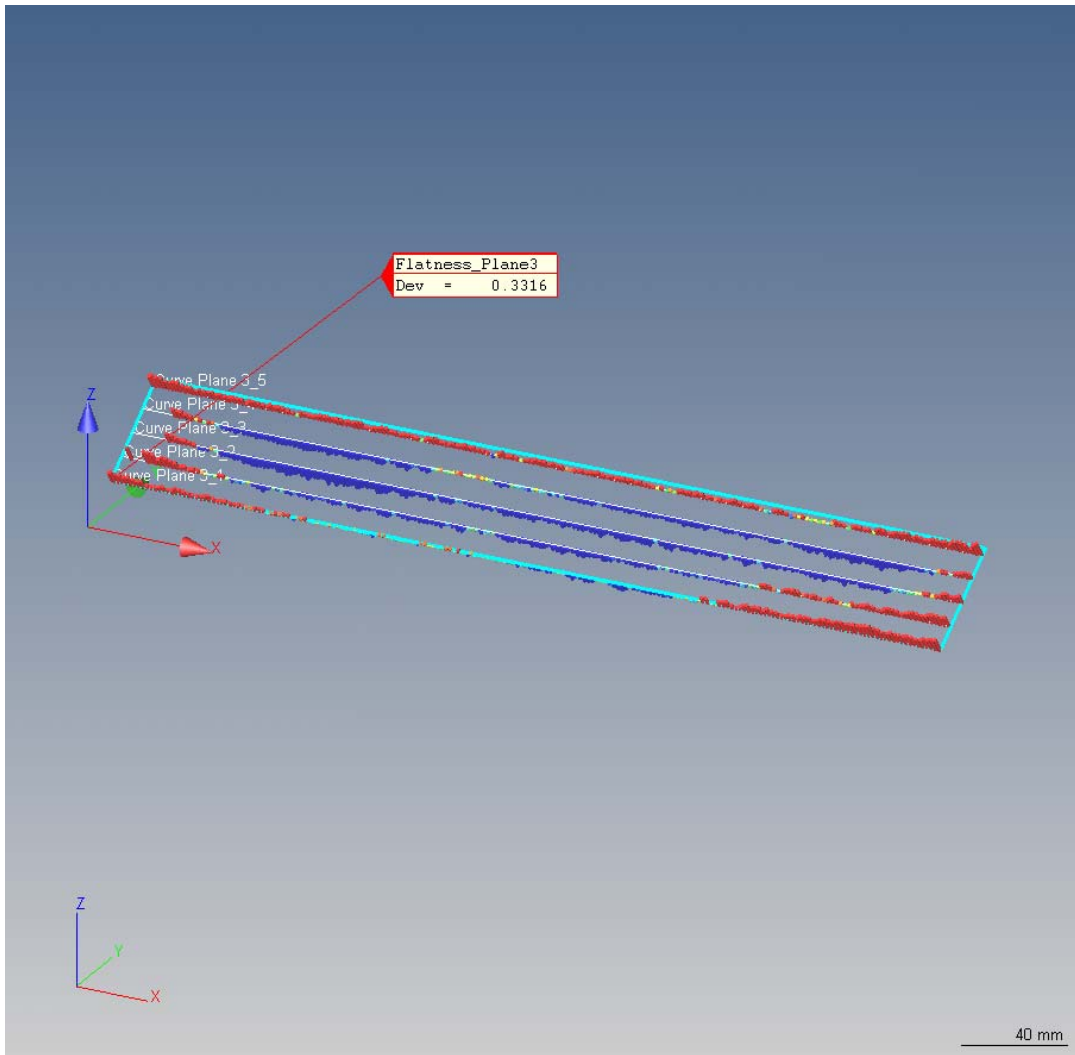
Plane 1



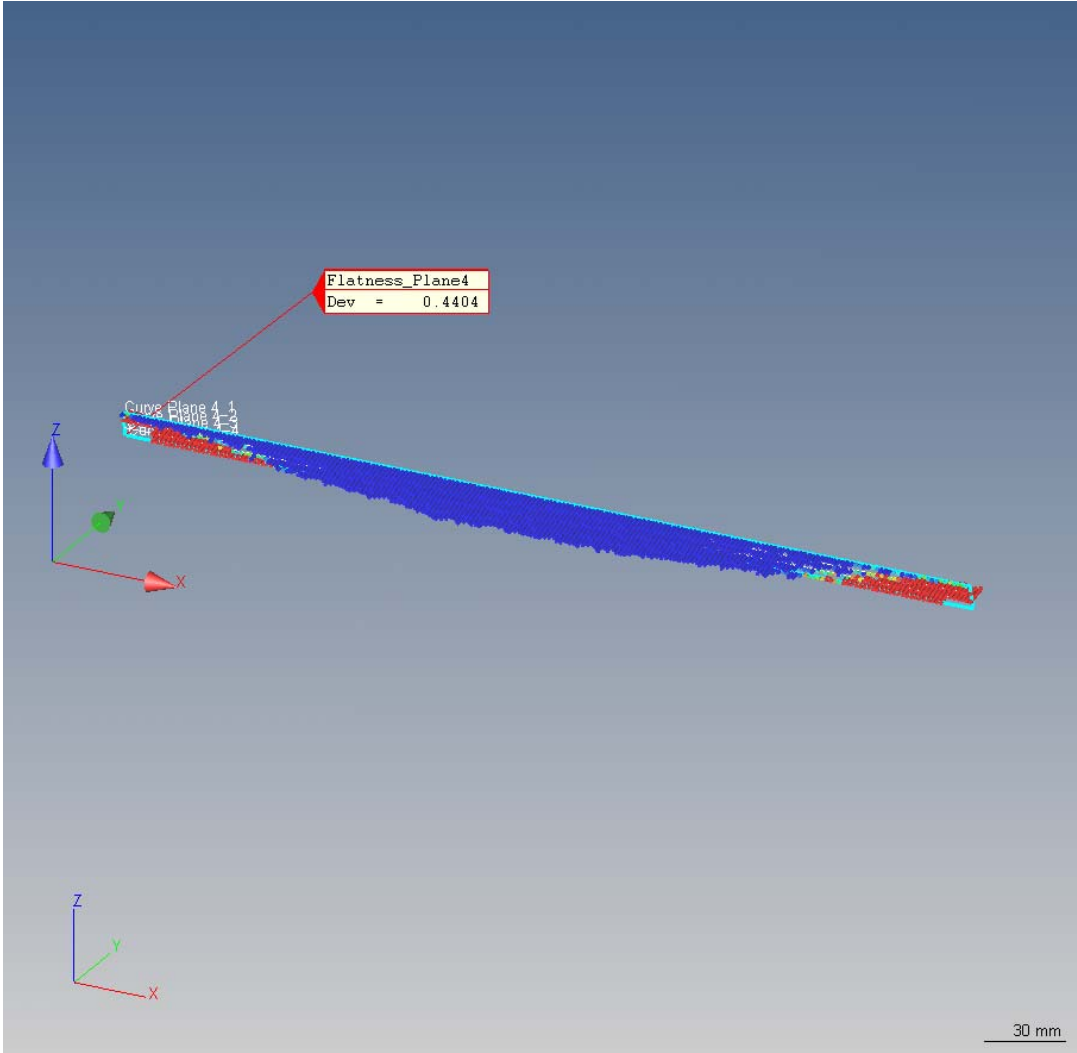
Plane 2



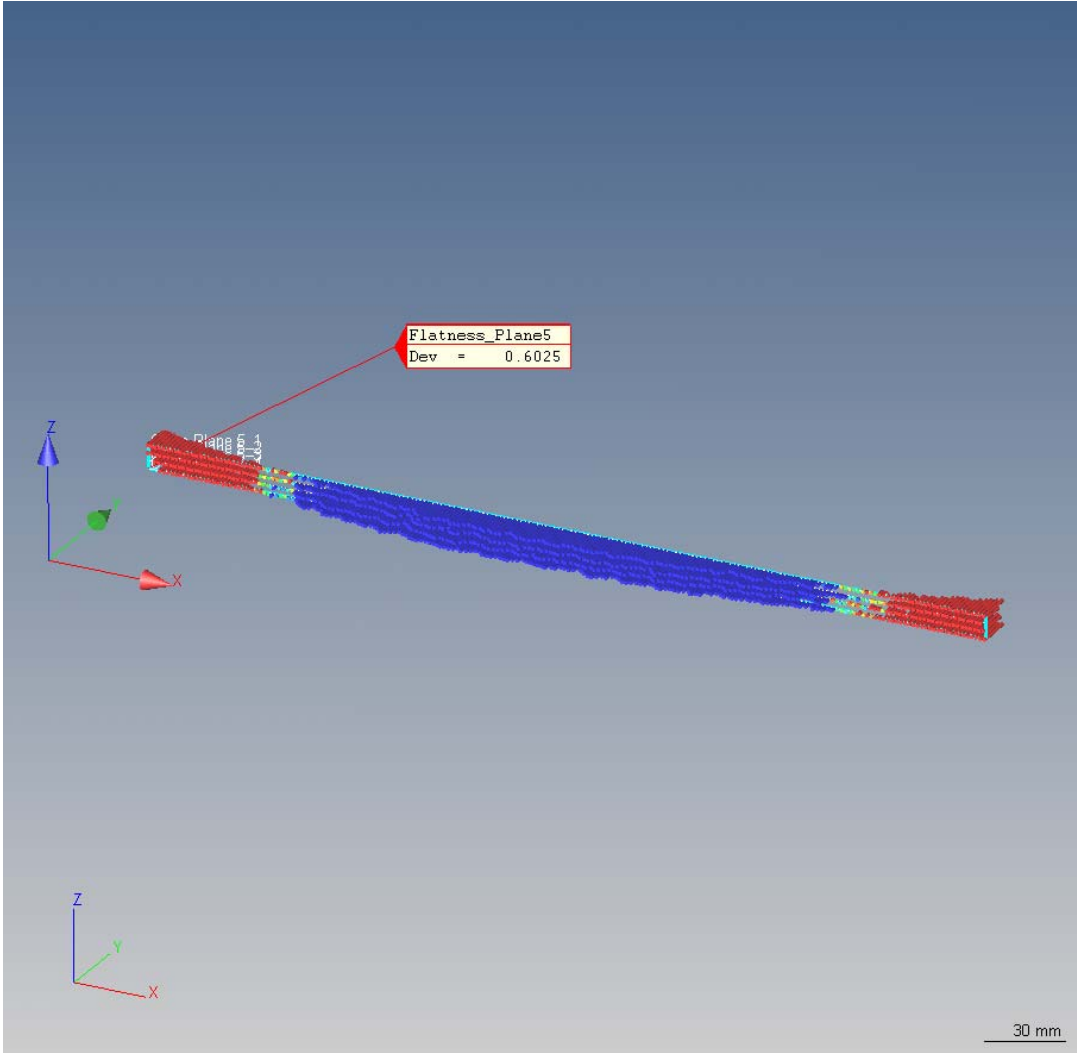
# Plane 3



Plane 4



Plane 5



Plane 6

