

HFT numbering conventions

Spiros Margetis

- The Basis - CSN229(B)
- Debates-Resolution-Compromises
- Scheme

Numbering conventions/rules CSN229

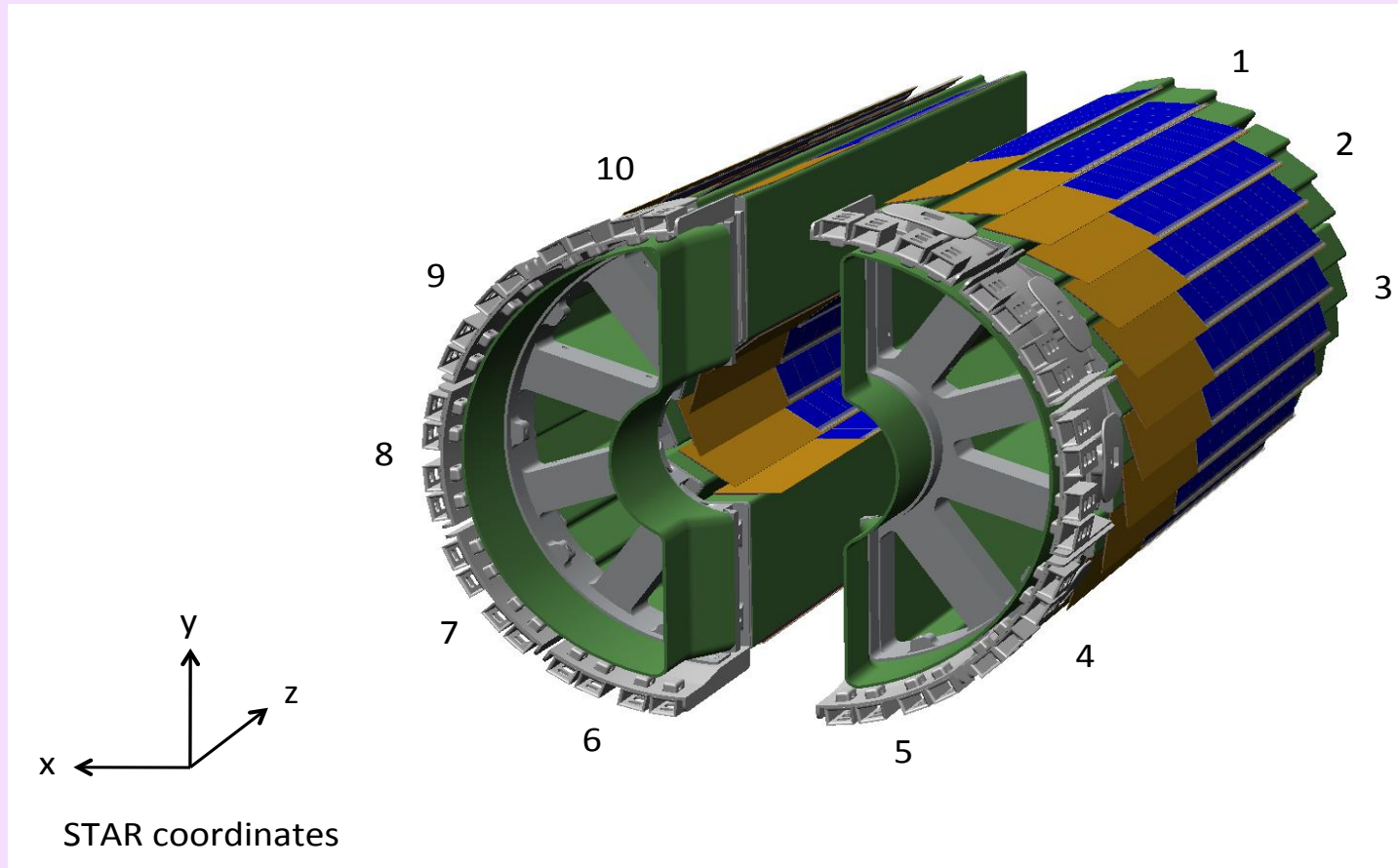
- Adopt a view point (East/West) - default is West
- For Phi elements go CW starting Up (+y), but do not cross it
- For Z elements start East and go West (+z)

Bottom line for HFT

- STAR compliant with PIXEL detector considered an East-view detector (it is)
- SSD (SST) strip numbering (no convention) - keep legacy (simplicity)

All views here and the document are East-views

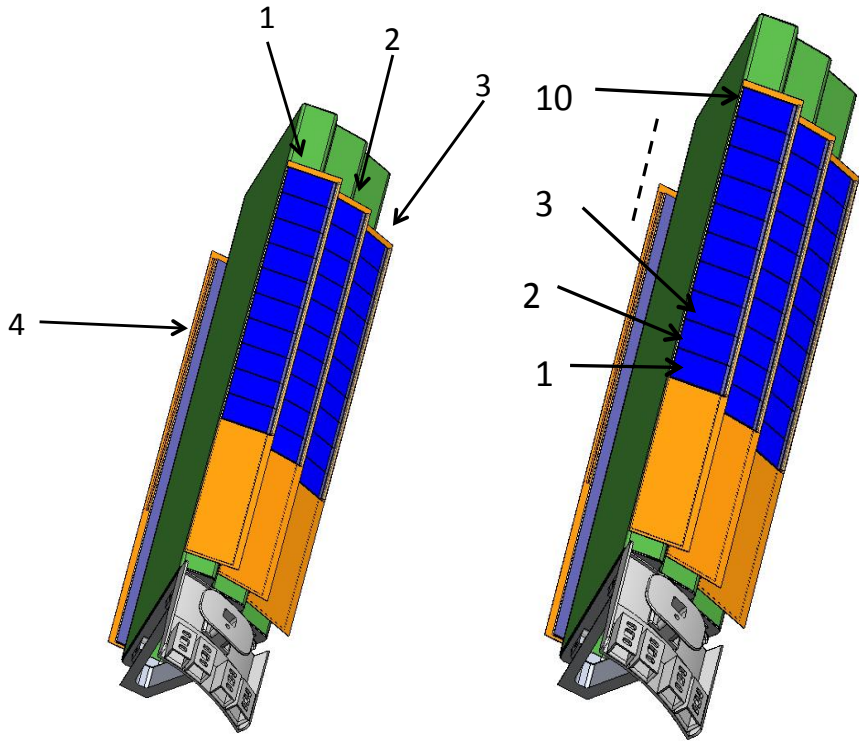
PIXEL



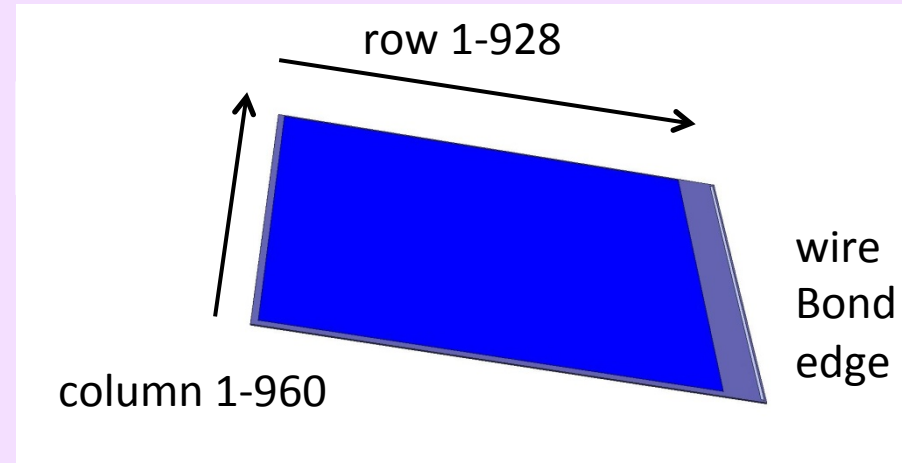
Sectors

H.W. and L.G.

PIXEL

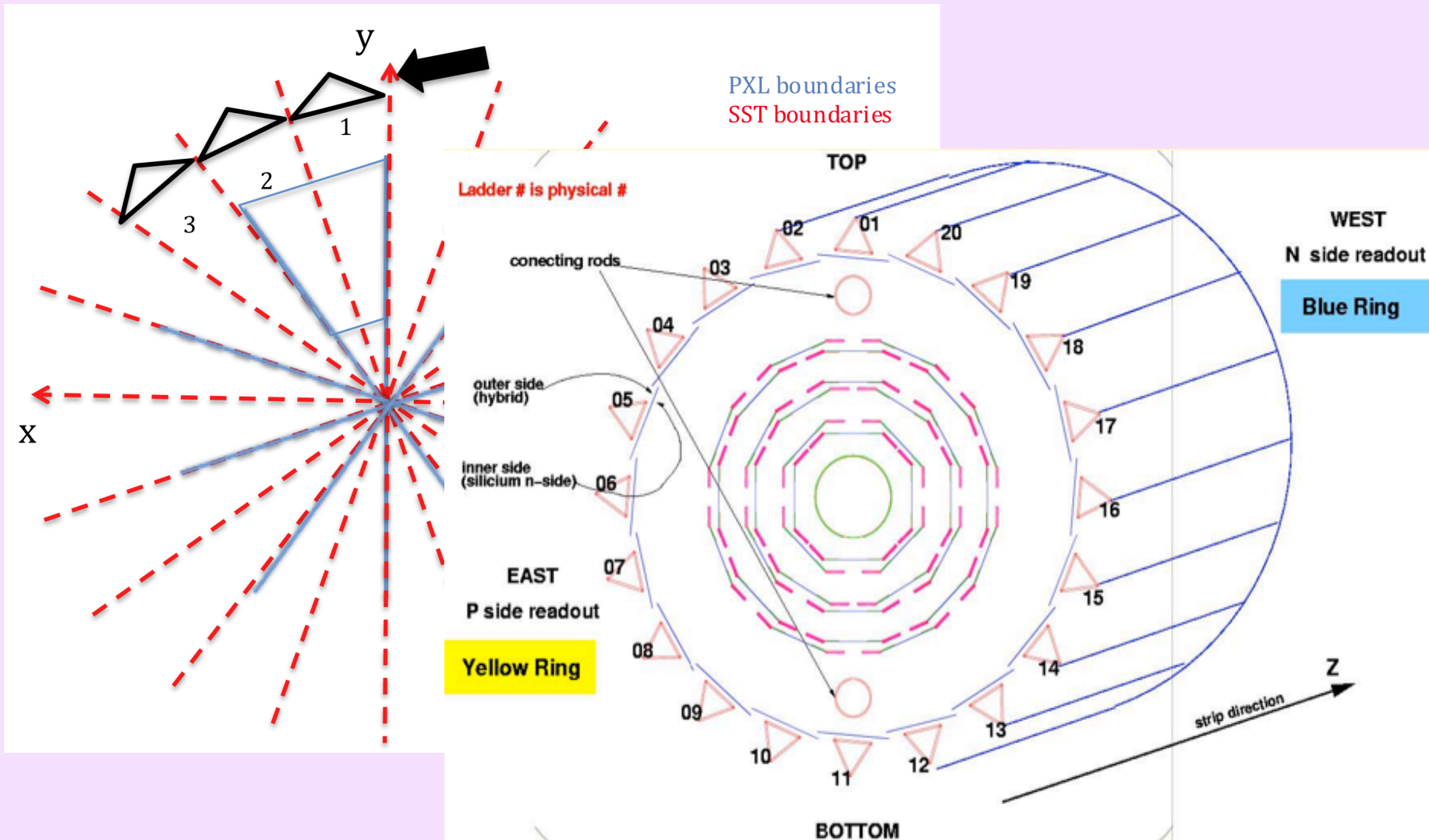


Ladders and Sensors



Pixels

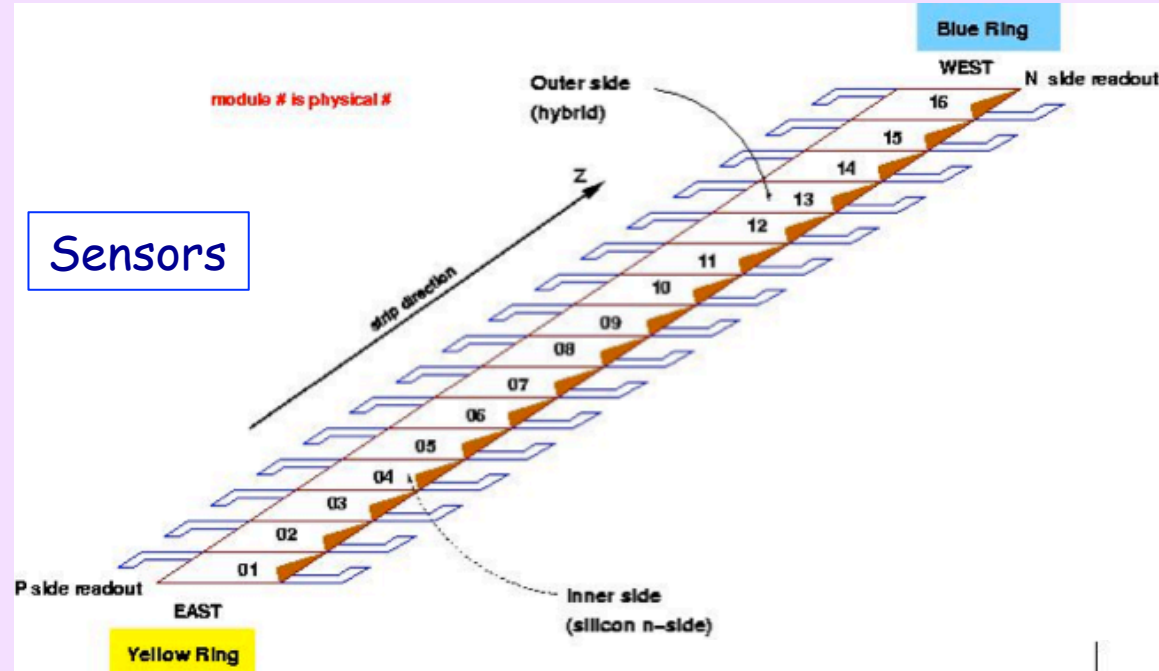
SSD/SST



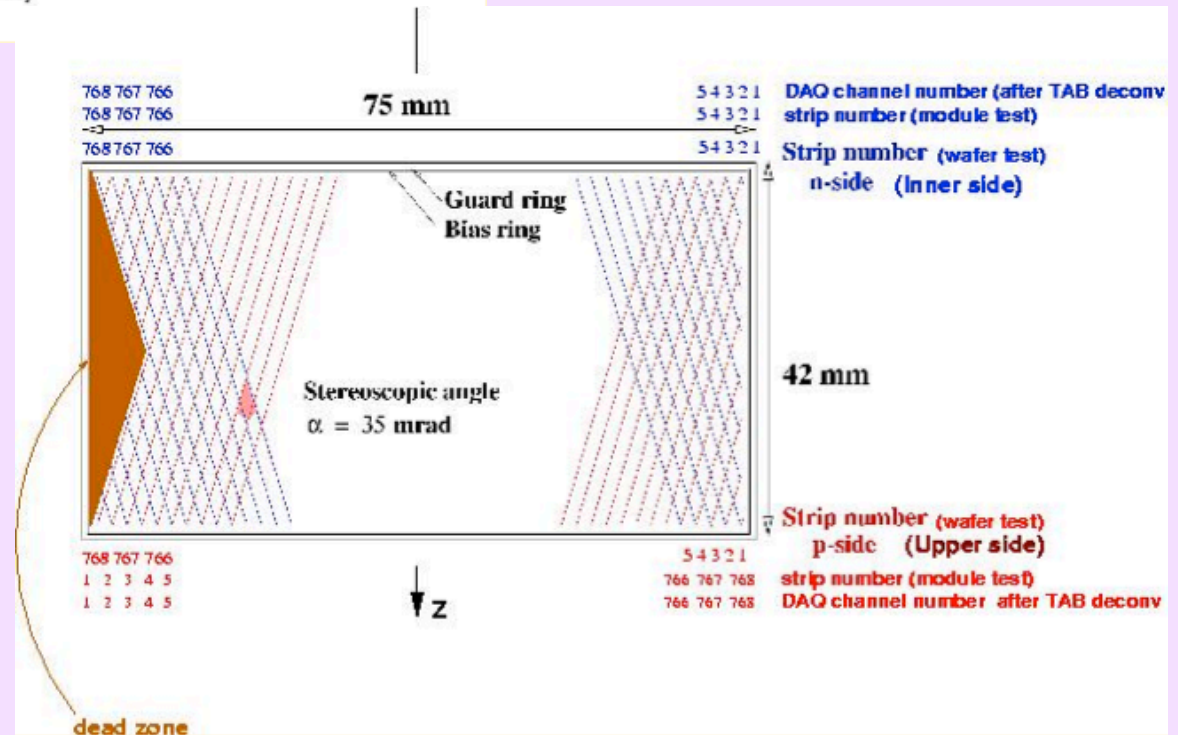
Ladders

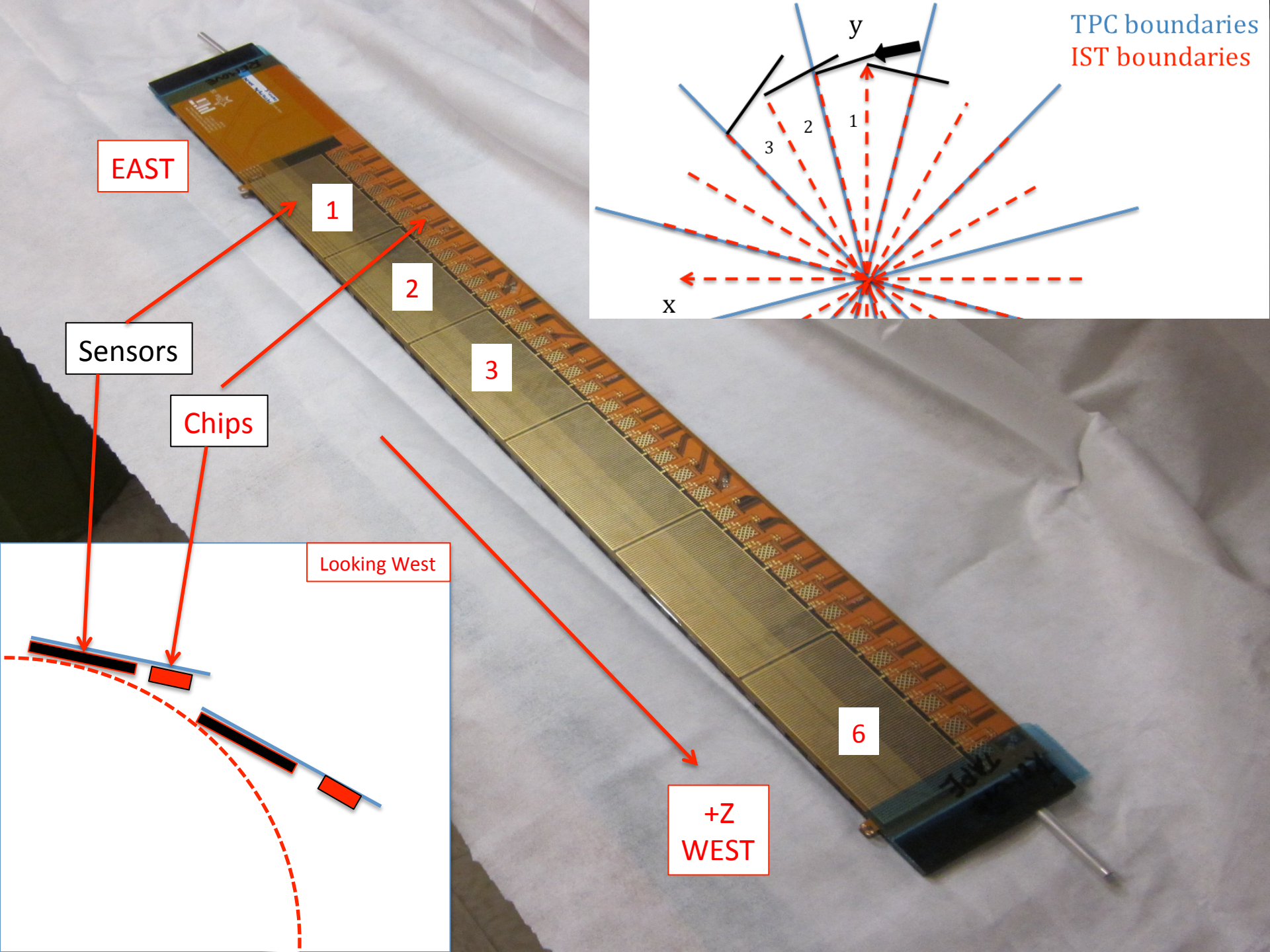
SSD/SST

Sensors



Strips





EAST

1

2

3

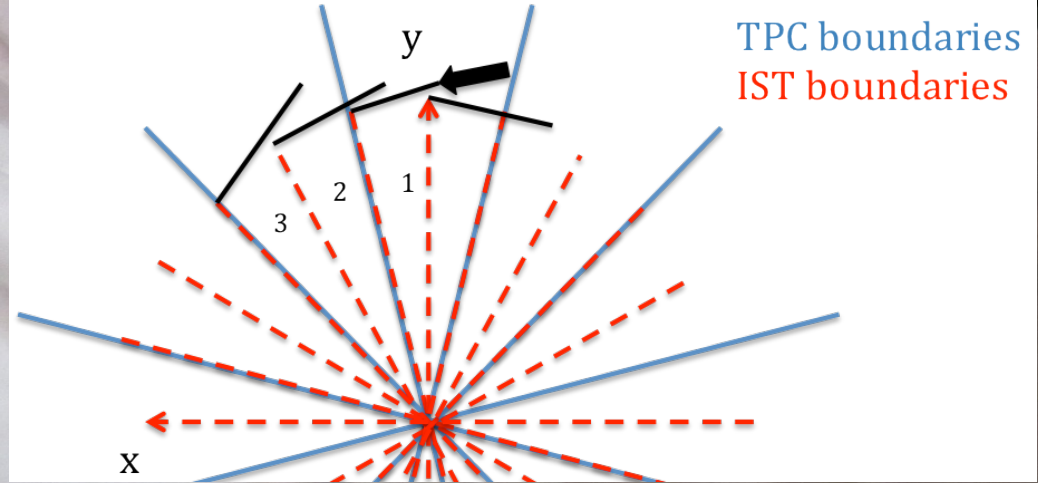
Sensors

Chips

Looking West

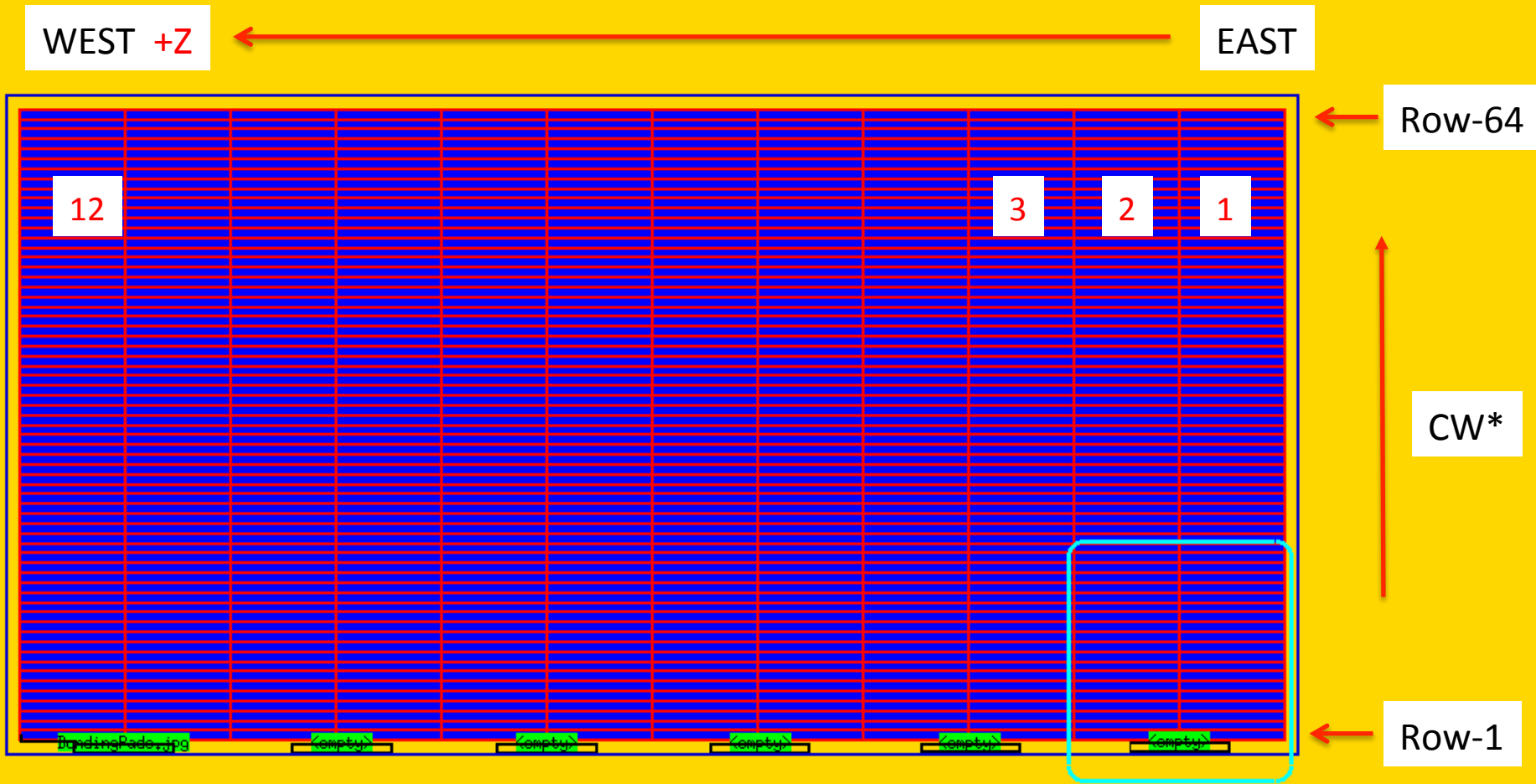
6

+Z
WEST



TPC boundaries
IST boundaries

IST silicon pad sensor design proposal



Silicon sensor size: 76.900mm x 40.000mm

This area A is enlarged in another picture

Active area pitch: 6275um x 596um
Edge structure left & right: 800um
Top edge structure: 800um
Bottom edge structure: 1056um
12 columns x 64 rows

- CW – Clockwise if viewed from West. IST is a West-view detector like the SST