

Naming Convention HFT PIXEL

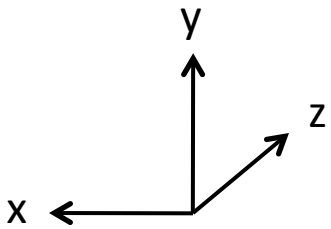
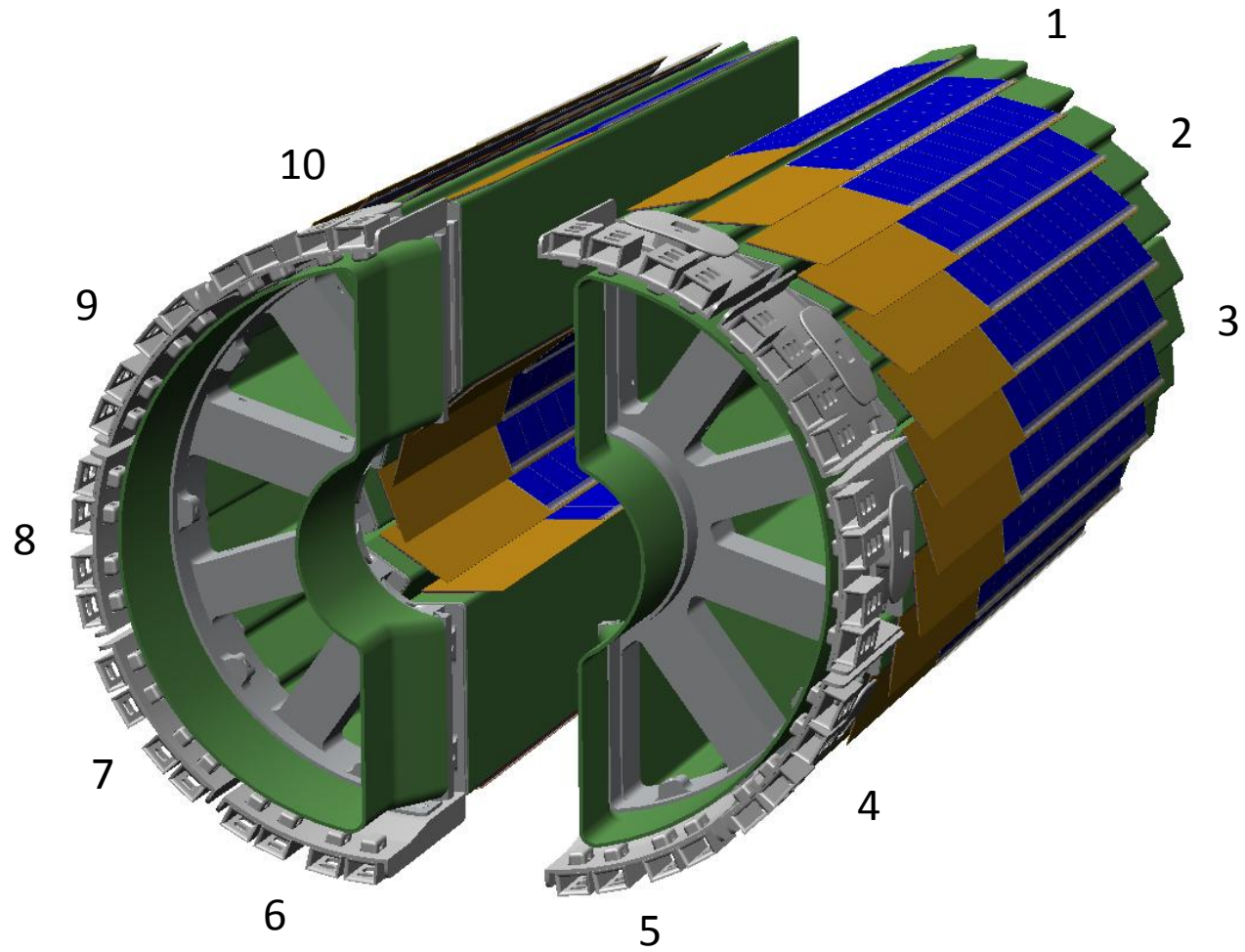
12-June-2009

pixel identification

sector – ladder – chip - row - column

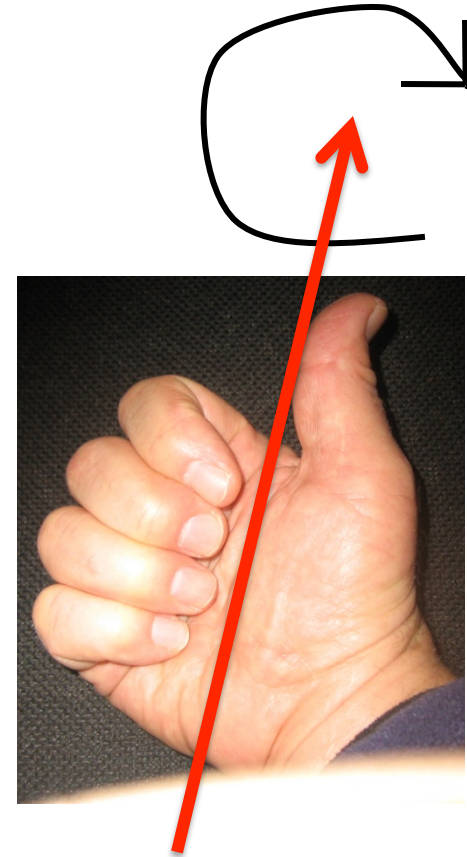
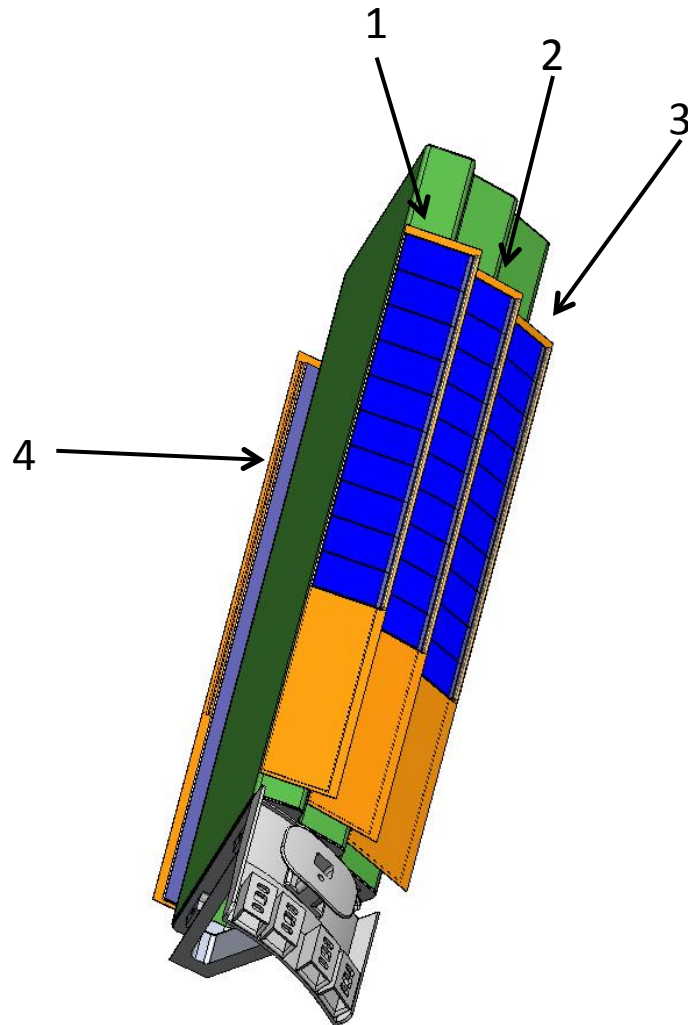
1-10	4 (In)	1-10	1-640	1-640
	1 (Out)			
	2 (Out)			
	3 (Out)			

sector number



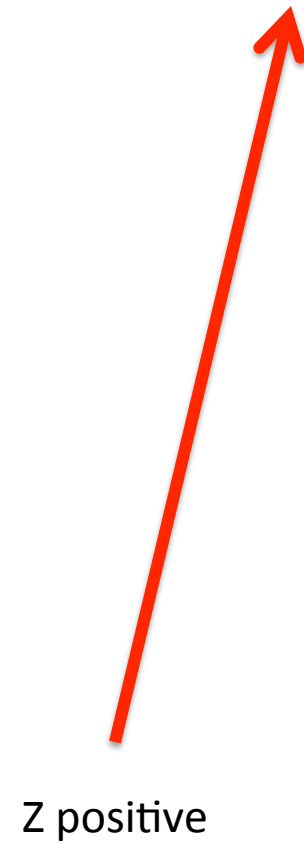
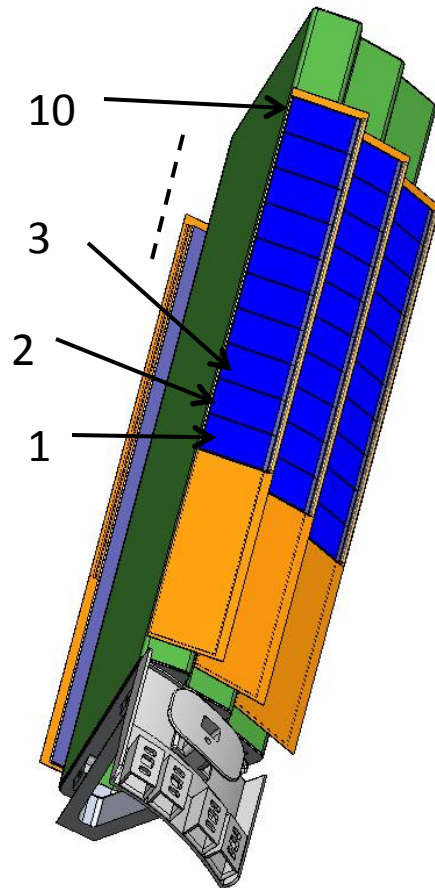
STAR coordinates

ladder naming follows right hand rule like the sector numbering



Z positive

chip naming on the ladder



pixel naming on the chip

