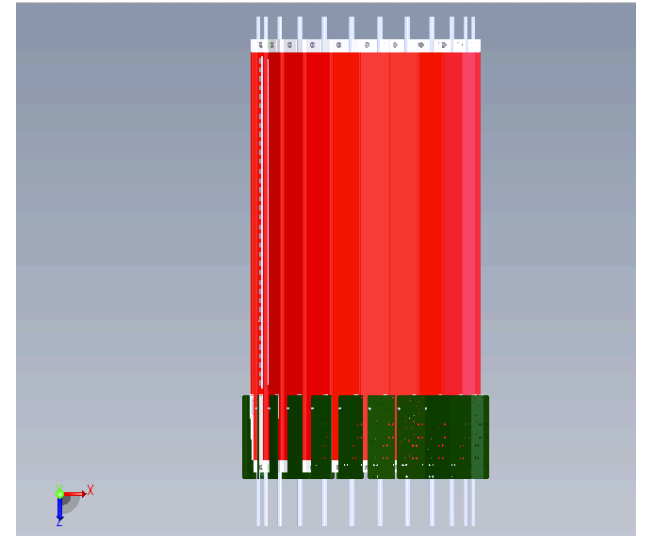
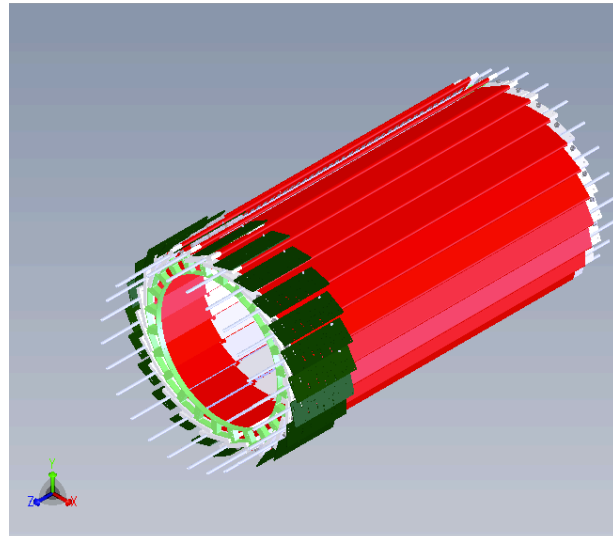
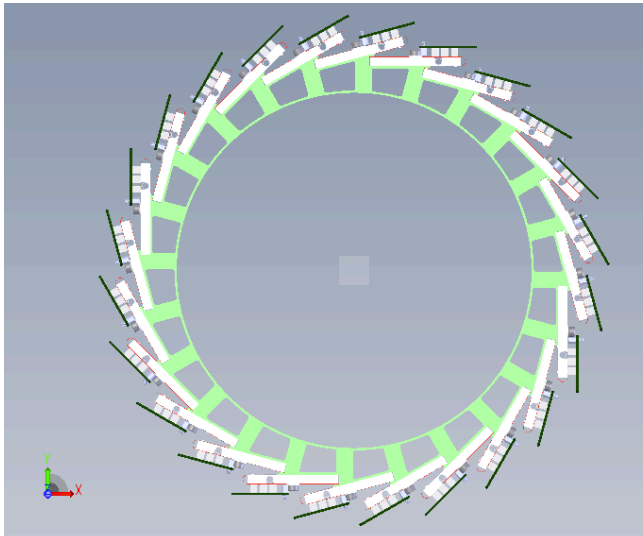
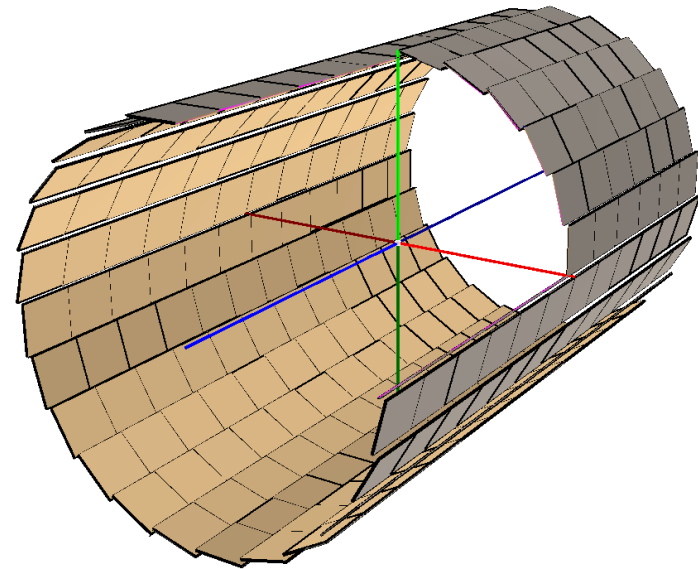
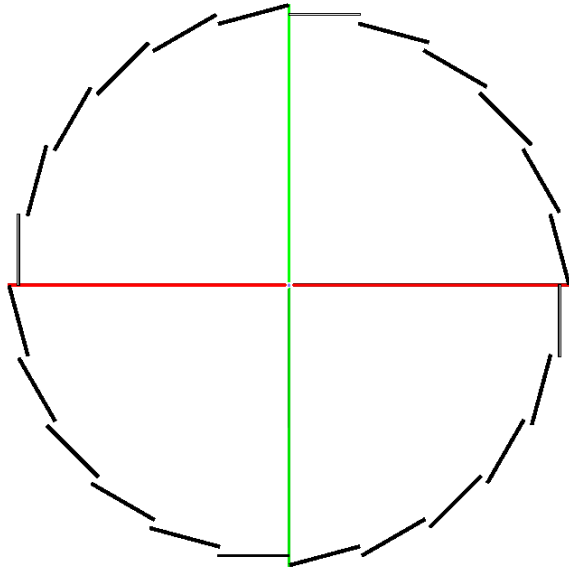


# IST geometry update

- Yaping get the updated geometry of the IST.

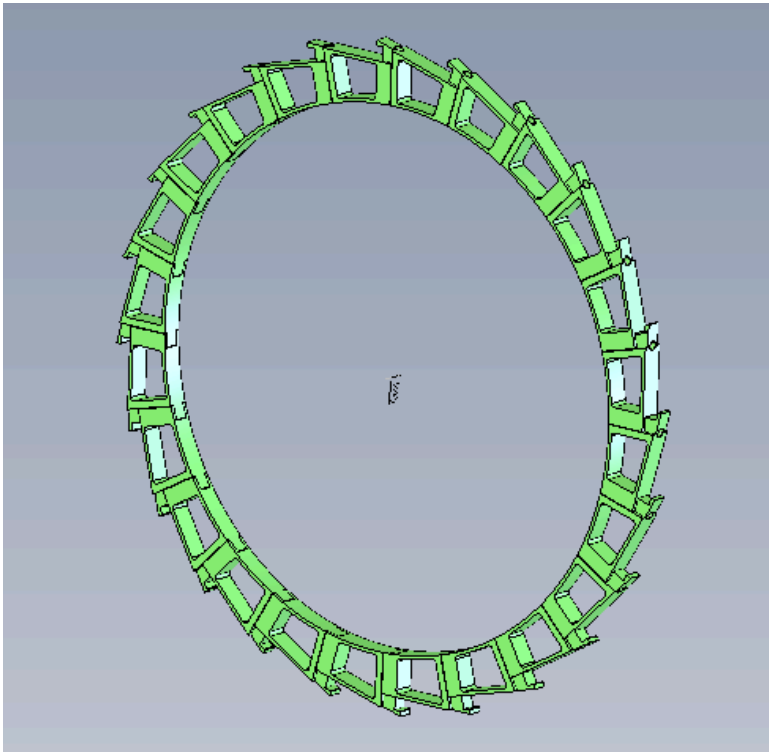


# IST in AgML

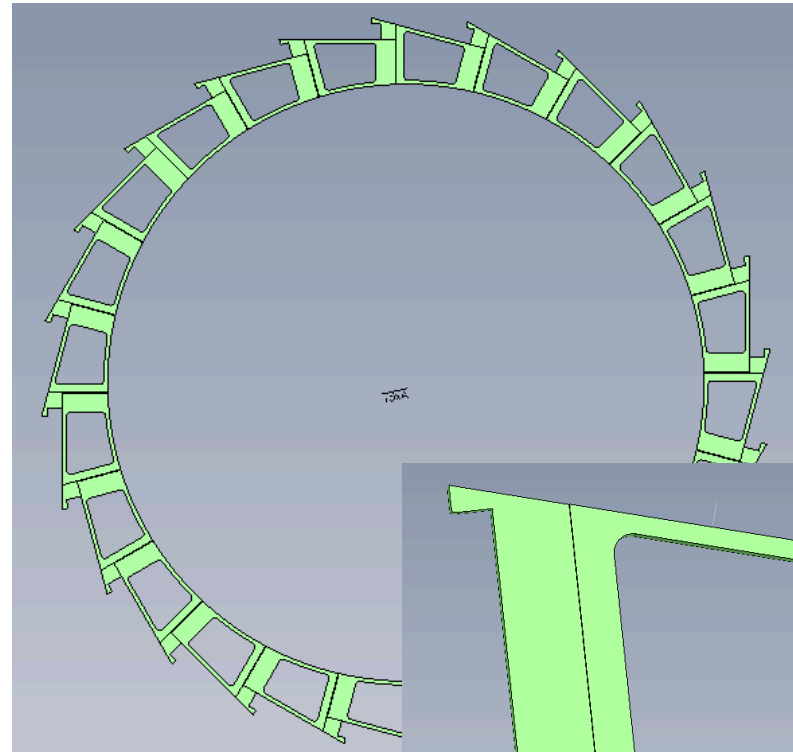


- it needs to be updated based on the SolidWork model :
  - Ladder support ring
  - Sensor support

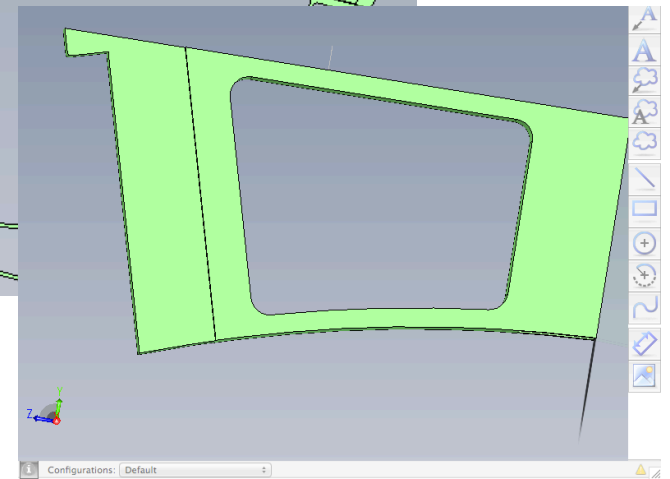
# Ladder support ring



9/28/12

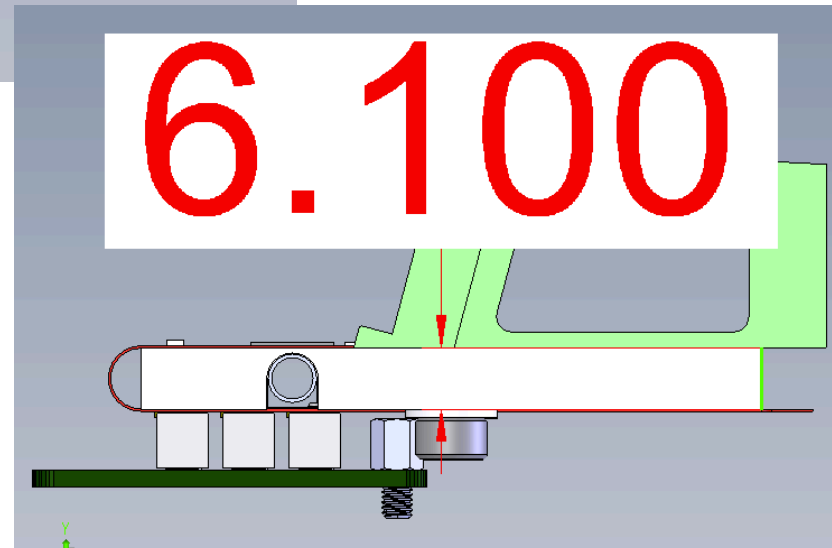
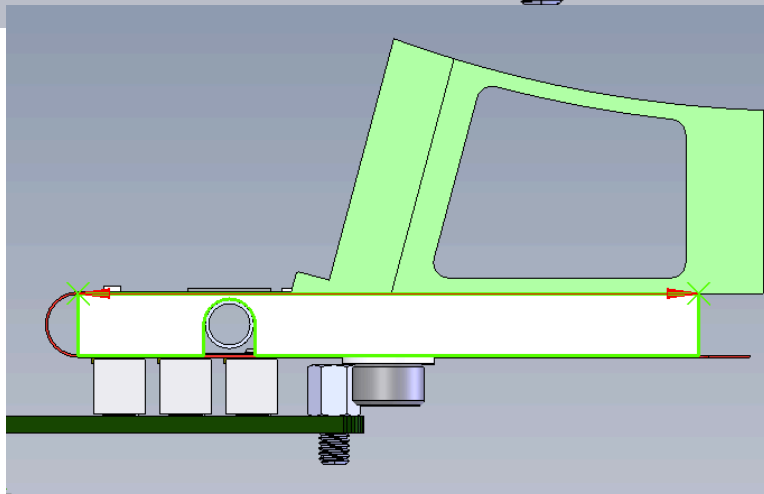
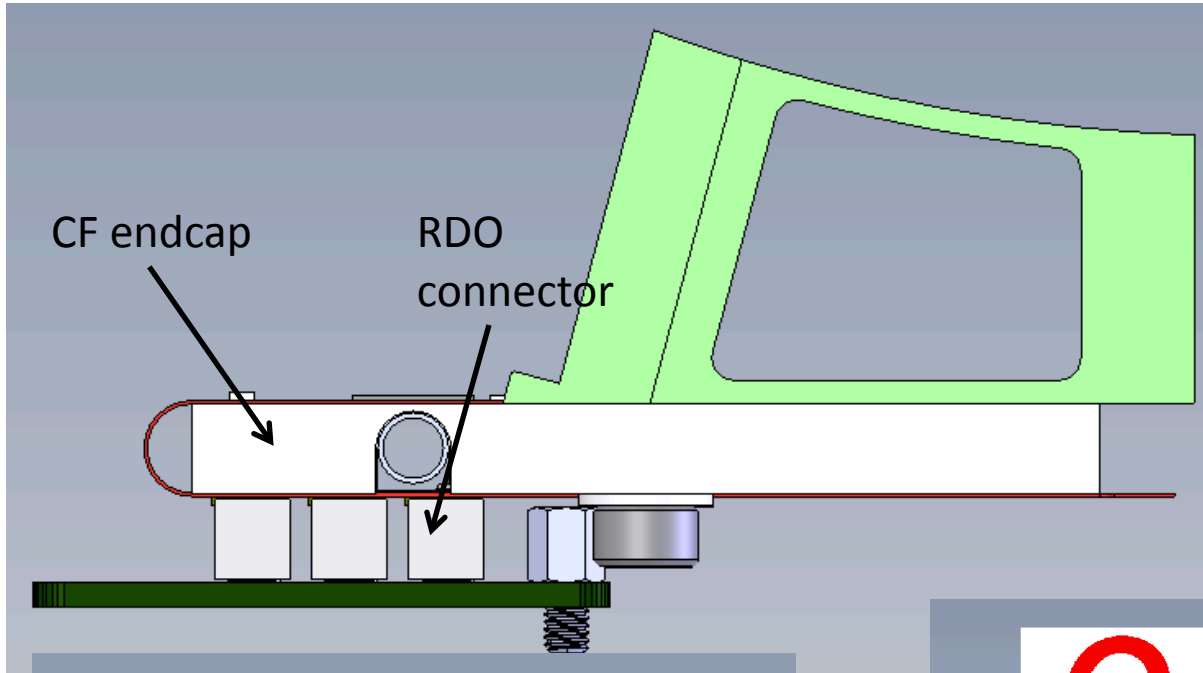


update on IST geometry



3

# In details



9/28/12

update on IST geometry