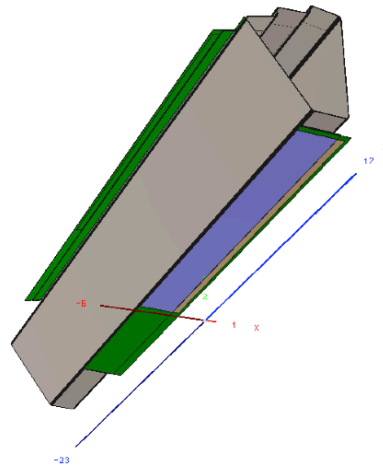
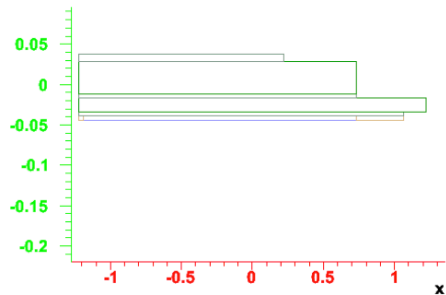


WBS 1.6 Software

1. Further work on the HFT geometry model was done in the reporting period. As we said in the previous report this month's work was focused on properly including/accounting of the material budget in the model.

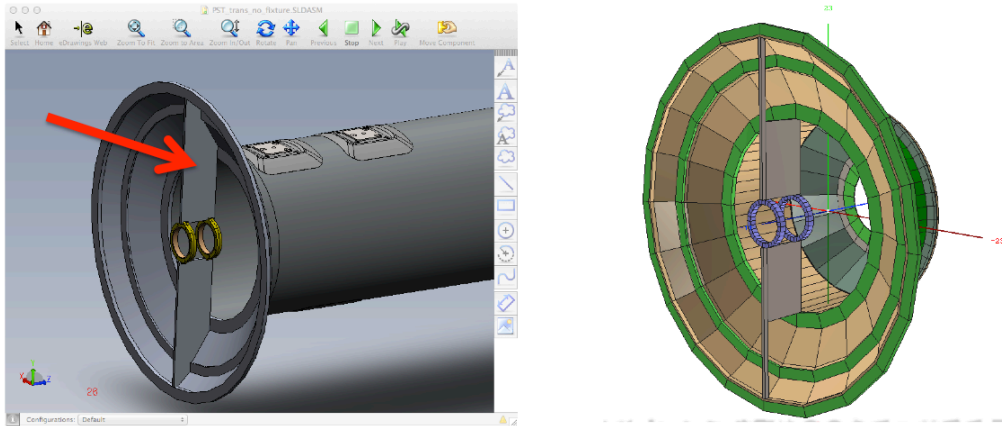
- This is done and we believe that we have a reasonable model of the detector in GEANT.
- We plan an internal review/release of this Y2013 geometry tentatively on March 9th.
- The upper figure shows structural details of a PIXEL sector with proper Silicon, Glue, Carbon Fiber support and Al-cable material.
- The lower picture is an earlier model of the Pixel Support Tube
- At the same time, some timing tests were performed. They showed no noticeable difference between the full model and simplified cylinders.

PLAC+SIFL+SIFR+GLUA+ALCA+GLUB+GLU+CFBK

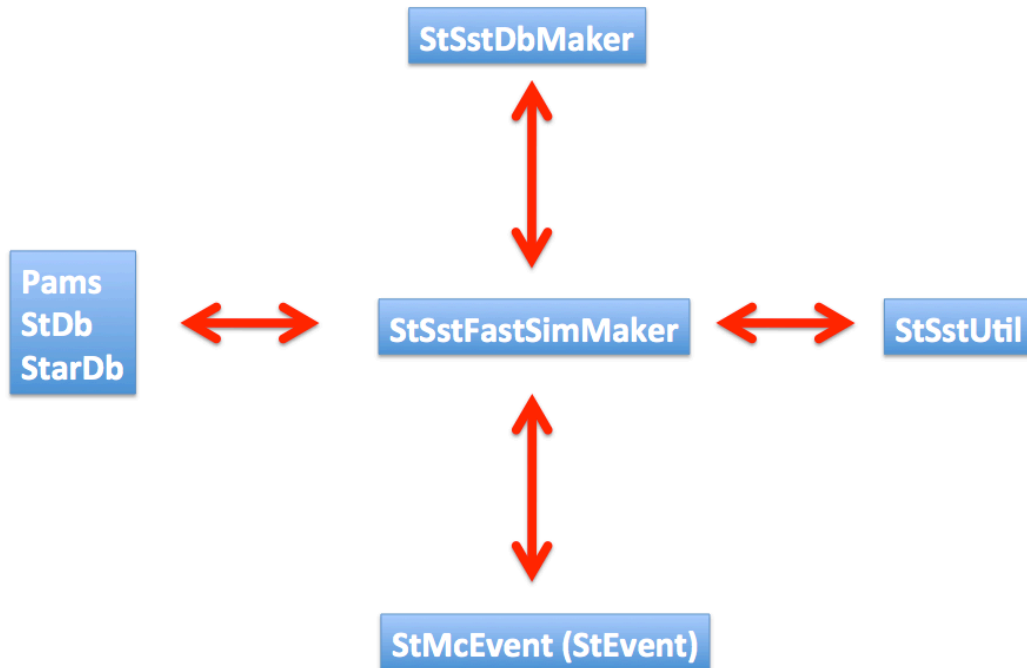


- **GLUC** : glue (adhesive)
- **CFBK** : Carbon Fiber backing

Pixel Support Tube



2. Preparatory work started in creating the SSD software structures in CVS repository. We started by just doing a straight copy of the old-SSD structures to the new area. The Calibration structures are revisited and discussed as they are the ones that need minimum changes. The figure below shows a schematic of the structures.



3. We are revisiting the Manpower contributions from the HFT Institutions and also assign tasks to newcomers.